



ELECTRO SERIES ACTUATED BALL VALVES

The Electro Actuated Ball Valve provides high quality, basic on-off electrical actuation at an economical price, with voltage options and special “2-wire” control available. This prepackaged combination is constructed with an all plastic NEMA 4X enclosure directly mounted to a PVC or CPVC valve body for lighter weight and a low profile design for minimal space requirements. All Electro Series Ball Valves are pressure rated to 235 psi and suitable for vacuum service. Available in IPS sizes 1/2" - 2", with socket, threaded, or flanged ends and choice of EPDM or Viton® O-ring seals.



ELECTRO ACTUATED COMPACT BALL VALVE

Compact Electro Ball Valves are built around Spears® industrial grade Compact 2000 Ball Valve. This heavy bodied, sealed unit design is well suited for a multitude of general purpose, industrial, and OEM actuation needs.



ELECTRO ACTUATED TRUE UNION BALL VALVE

The Electro True Union Ball Valve utilizes Spears® industrial grade True Union Ball Valve. This fully repairable, double union style allows easy in-line removal for servicing and is the valve of choice for many industrial and chemical processing applications.

ELECTRO 50 & 100 ACTUATOR SPECIFICATIONS

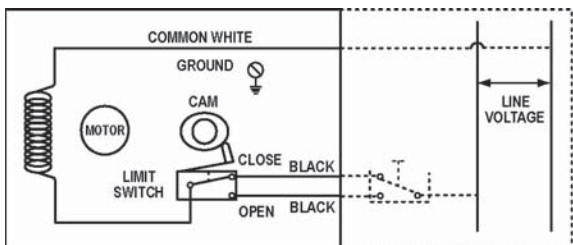
Motor: Brushless, Non-Reversing, Shaded Pole, Thermally Protected
 Torque: ELECTRO-50 50 in./lbs. (1/2" - 1" Valves)
 ELECTRO-100 100 in./lbs. (1-1/4" - 2" Valves)
 Opening Time: 5 seconds
 Closing Time: 5 seconds
 Duty Cycle: 25% standard (optional 75% available)
 Limit Switch: Cam Operated, Omni Directional, SPDT
 Housing: NEMA 4X (Weatherproof, Corrosion Proof), High Impact Polypropylene, SS 316 Fasteners
 1/2" NPT Connection
 Indicator: Visual Open/Close - Standard
 Voltage: 115V standard (see Voltage Options)

Optional “2-Wire” Control:
 Control switch setup operates as a solenoid valve. Valve opens when control switch is open 5-seconds and closes when control switch is closed 5-seconds. Uses 4-wire connection with 2 wires to line voltage and 2 wires to SPST control switch.

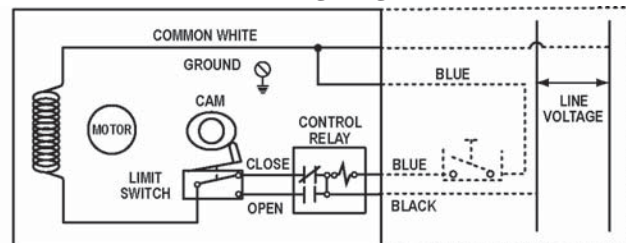
Voltage Options:

Voltage	Load AMP Electro-50	Load AMP Electro-100
12 VAC	2.40	N/A
24 VAC	2.1	7.8
115 VAC	.6	1.9
230 VAC	.5	1.5
12 VDC	.3	.2
24 VDC	.2	.2

Standard Wiring Diagram 115 VAC Wiring



“2-Wire” Control Wiring Diagram



ELECTRO WIRING

EXTERNAL WIRING

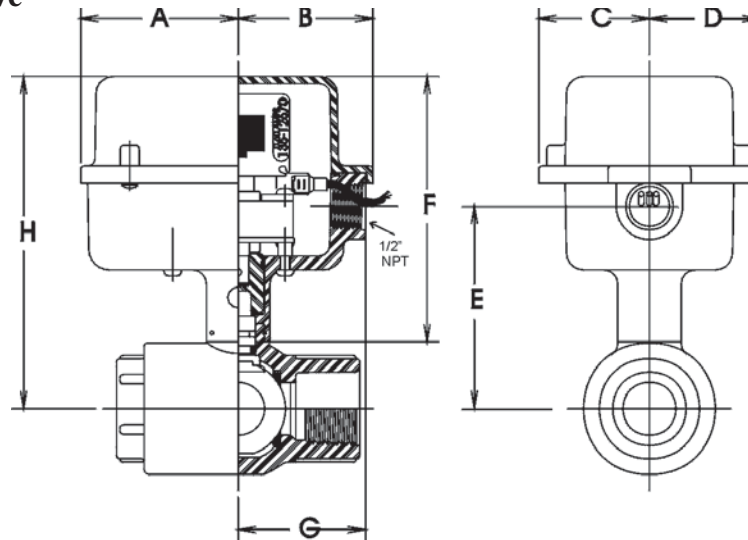
ELECTRO WIRING

EXTERNAL WIRING

ELECTRO SERIES ACTUATED BALL VALVES



Compact Ball Valve



Actuated Compact Ball Valve Dimensions

Valve Size	A	B	C	D	E	F	G	H
1/2	2-7/8	2-1/2	2	2	3-3/8	5-5/8	2-5/16	6-5/8
3/4	2-7/8	2-1/2	2	2	3-9/16	5-5/8	2-5/16	6-7/8
1	2-7/8	2-1/2	2	2	3-5/8	5-5/8	2-5/16	7-1/16
1-1/4	3-5/8	2-7/16	2	2	4-3/4	5-7/8	2-7/16	7-5/8
1-1/2	3-5/8	2-7/16	2	2	5	5-7/8	2-7/16	7-7/8
2	3-5/8	2-7/16	2	2	5-1/2	5-7/8	2-7/16	8-3/8

Valve: PVC or CPVC Industrial Grade Valve,
 Non-Repairable Sealed Unit
 PTFE Seats
 EPDM or Viton® O-rings
 Socket, Threaded or Flanged End Connection
 Vacuum Service Rated
 Pressure rated to 235 psi water @ 73° F
 (Flanged to 150 psi)

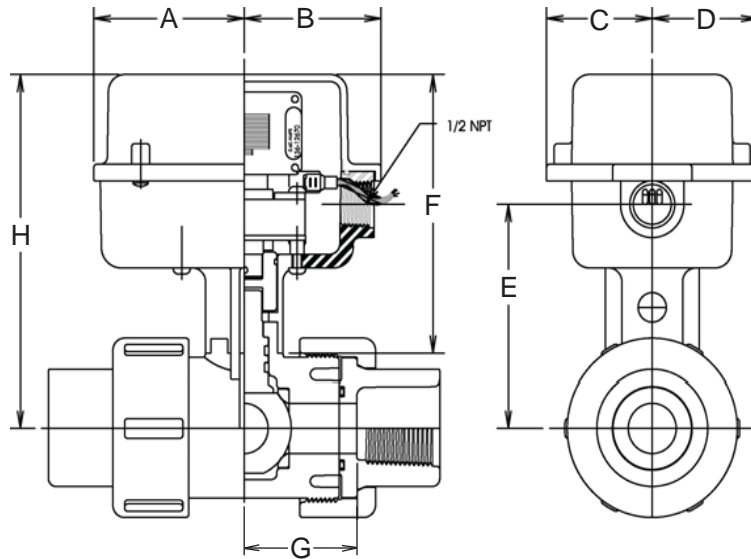
Sample Engineering Specification

All actuated ball valves shall be PVC or CPVC construction with direct mount electric actuator. Valve shall be compact sealed unit type, pressure rated to 235 psi @ 73° F (150 psi for flanged), with PTFE seats, Safe-T-Shear® Stem, EPDM or Viton® O-rings, and socket, threaded or flanged end connections. Actuator shall be direct mount, with brushless non-reversing quarter turn motors and built in visual open/close position indicator. Actuator housing shall be weather proof and corrosion proof (NEMA 4X) with type 316 stainless steel fasteners, as manufactured by Spears® Manufacturing Company.



ELECTRO SERIES ACTUATED BALL VALVES

True Union Ball Valve



Actuated True Union Ball Valve Dimensions

Valve Size	A	B	C	D	E	F	G	H
1/2	2-7/8	2-1/2	2	2	3-3/8	5-5/8	2-5/16	6-5/8
3/4	2-7/8	2-1/2	2	2	3-9/16	5-5/8	2-5/16	6-7/8
1	2-7/8	2-1/2	2	2	3-5/8	5-5/8	2-5/16	7-1/16
1-1/4	3-5/8	2-7/16	2	2	4-13/16	5-7/8	2-7/16	7-5/8
1-1/2	3-5/8	2-7/16	2	2	5	5-7/8	2-7/16	7-7/8
2	3-5/8	2-7/16	2	2	5-1/2	5-7/8	2-7/16	8-3/8

Valve: PVC or CPVC Industrial Grade Valve
 Double Union Style with Blocked Seal Carrier
 Fully Repairable & Adjustable
 PTFE Seats
 EPDM or Viton® O-rings
 Socket, Threaded or Flanged End Connection
 Vacuum Service Rated
 Pressure rated to 235 psi water @ 73° F
 (Flanged to 150 psi)

Sample Engineering Specification

All actuated ball valves shall be PVC or CPVC construction with direct mount electric actuator. Valve shall be True Union type, pressure rated to 235 psi @ 73° F (150 psi for flanged), with buttress threaded union nuts, PTFE seats, Safe-T-Shear® Stem, EPDM or Viton® O-rings, and socket, threaded or flanged end connections. Actuator shall be direct mount, with brushless non-reversing quarter turn motors and built in visual open/close position indicator. Actuator housing shall be weather proof and corrosion proof (NEMA 4X) with type 316 stainless steel fasteners, as manufactured by Spears® Manufacturing Company.