



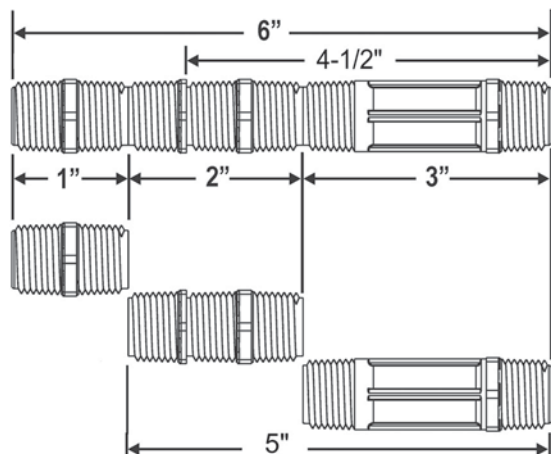
Four-In-One • Cut-Off Nipples

M481-005 & M481-007

PRICE SCHEDULE DFW-1-0910

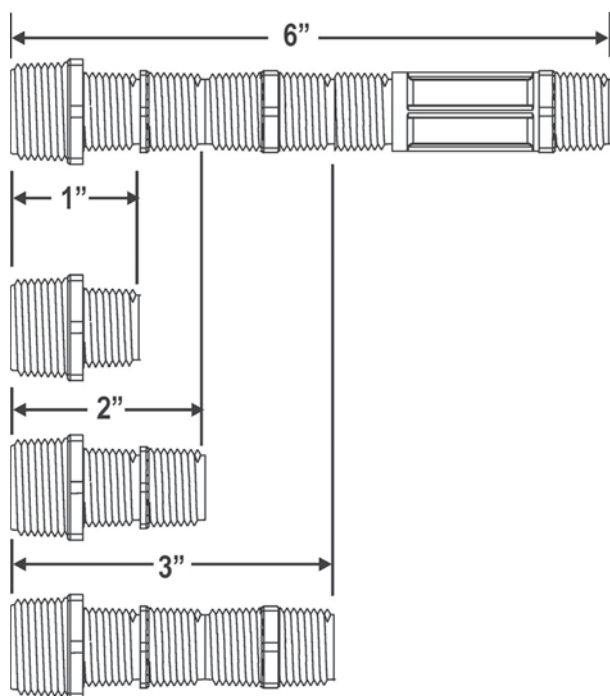
Effective September 26, 2010

Supersedes DFW-1009



- High quality polyethylene construction
- Choice of sizes from just one nipple
- Reduces inventory
- Eliminates waste
- Reduces contractor down time

M481-101



Part Number	Size	Carton Quantity	Disc Code	List Price Each
M481-005	1/2 x 6	50	123	1.03
M481-007	3/4 x 6	25	123	1.47
M481-101	3/4 x 1/2 x 6	50	123	1.12

Prices subject to change without notice. Possession of this price schedule shall not be construed as an offer to sell the products listed.

Product drawings are representative and may not fully reflect product configurations. Dimensions are approximate.

See Price Schedule NPL-1 for additional Nipple types and sizes.

Visit our web site:
www.spearsmfg.com

See Spears® On-line Catalog for most current pricing, updated daily.



SPEARS® MANUFACTURING COMPANY • CORPORATE OFFICE

15853 Olden St., Sylmar, CA 91342 • PO Box 9203, Sylmar, CA 91392

(818) 364-1611 • www.spearsmfg.com

