

Discount Code(s): 030 Swing Joint Riser Assemblies _____
901 Miscellaneous Components _____

*Item prices may have changed from those shown in this sheet.
See Spears® On-line Catalog for most current pricing, updated daily.*



Turf Swivel Joints



Quality Systems Certificate No. 293
Corporate Facilities, Sylmar, CA
Assessed to ISO 9001: 2008

Visit our web site:
www.spearsmfg.com

PRICE SCHEDULE TSJ-1-0910
Effective September 26, 2010
Supersedes TSJ-1-1009



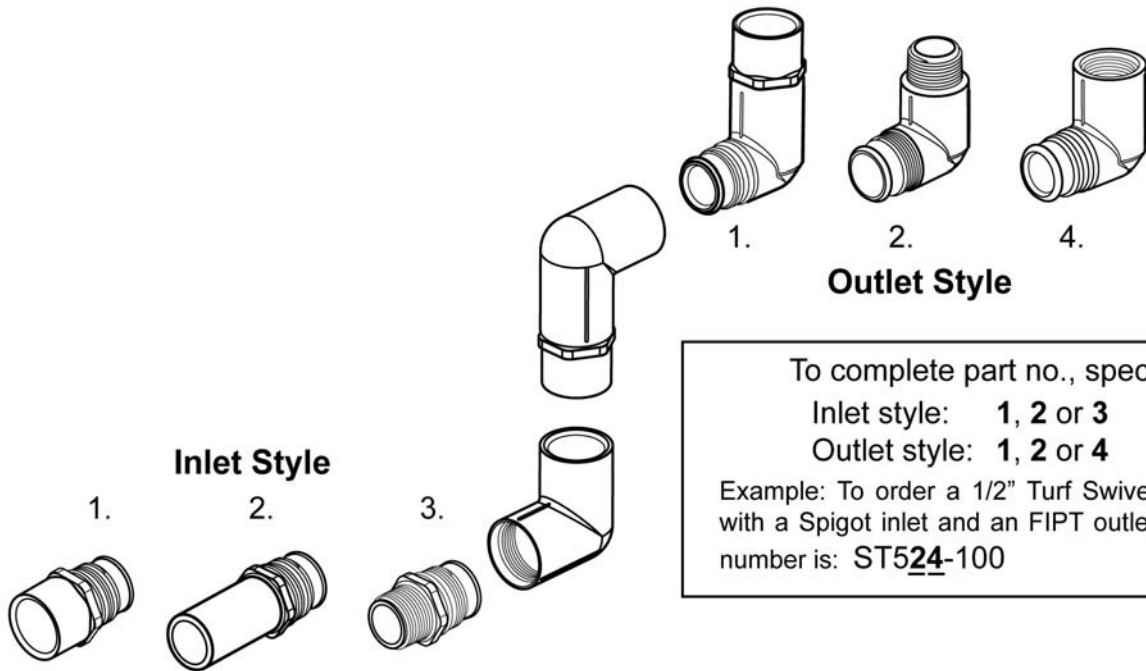
Turf Swivel Kits

3-Elbow Swivel Joint Kits

Complete kit for field assembly with any length of user supplied pipe. Kit includes upper and lower Elbow assemblies with choice of the following Inlet & Outlet Options:

Inlet Code:
 1 = Socket
 2 = Spigot
 3 = Mipt

Outlet Code:
 1 = Socket
 2 = Mipt
 4 = Fipt



To complete part no., specify:
 Inlet style: **1, 2 or 3**
 Outlet style: **1, 2 or 4**
 Example: To order a 1/2" Turf Swivel Joint Kit with a Spigot inlet and an FIPT outlet, the part number is: **ST524-100**

Turf Swivel Joint Kit

Part Number	Size	Std Pk	Mstr Ctn	Disc Code	Price Each
3-Elbow Swivel Joint Kits					
ST5__-100	1/2	10	0	030	18.63
ST7__-100	3/4	10	0	030	21.03
ST9__-100	1	10	0	030	24.48

NOT FOR USE WITH COMPRESSED AIR OR GAS

Turf Swivel Kits



4-Elb Swivel Joint Kits

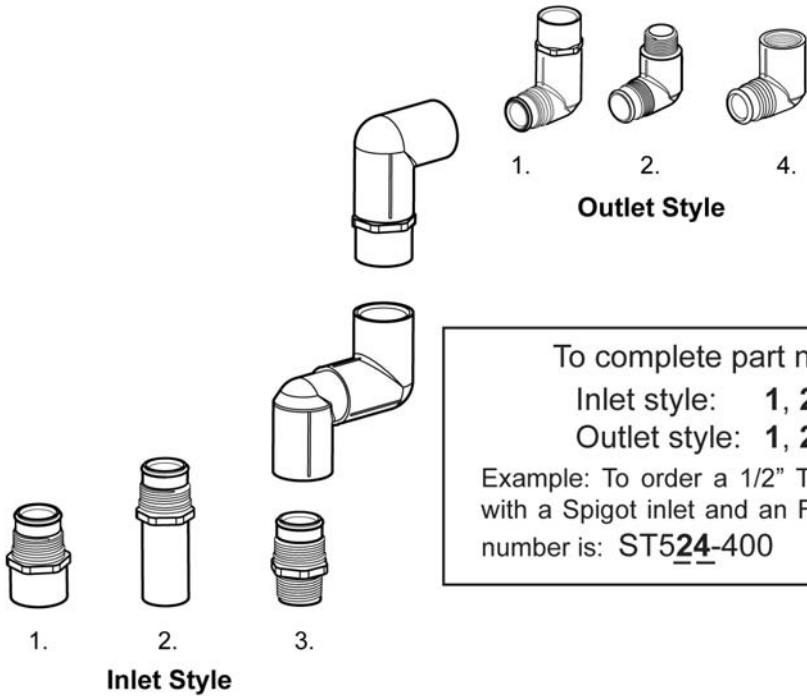
Complete kit for field assembly with any length of user supplied pipe. Kit includes upper and lower Elbow assemblies with choice of the following Inlet & Outlet Options:

Inlet Code:

- 1 = Socket
- 2 = Spigot
- 3 = Mipt

Outlet Code:

- 1 = Socket
- 2 = Mipt
- 4 = Fipt



To complete part no., specify:
 Inlet style: **1, 2 or 3**
 Outlet style: **1, 2 or 4**
 Example: To order a 1/2" Turf Swivel Joint Kit with a Spigot inlet and an FIPT outlet, the part number is: ST524-400

Turf Swivel Joint Kit

Part Number	Size	Std PK	Mstr Ctn	Disc Code	Price Each
4-Elb Swivel Joint Kits					
ST5__-400	1/2	10	0	030	19.78
ST7__-400	3/4	10	0	030	22.21
ST9__-400	1	10	0	030	26.80



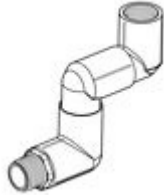
Compact Turf Swivel Joints

Factory Assembled
All Inlets are Swivel Male Threads

Three Outlet Choices:

- Series ST11 & ST41 = Female Pipe Threads**
- Series ST12 & ST42 = Swivel Male Pipe Threads**
- Series ST13 & ST43 = Male Pipe Threads**

Also available in 1" MBSP inlet x 1" MBSP outlet. Contact Spears® for pricing and availability.



3-El Compact Swivel Joints

Part Number	Size	Std Pk	Mstr Ctn	Disc Code	Price Each
Swivel Mipt x Fipt					
ST1105	1/2	10	0	030	18.63
ST1107	3/4	10	0	030	21.03
ST1110	1	10	0	030	24.49



4-El Compact Swivel Joints

Part Number	Size	Std Pk	Mstr Ctn	Disc Code	Price Each
Swivel Mipt x Fipt					
ST4105	1/2	10	0	030	19.78
ST4107	3/4	10	0	030	22.21
ST4110	1	10	0	030	26.80



3-El Compact Swivel Joints

Part Number	Size	Std Pk	Mstr Ctn	Disc Code	Price Each
Swivel Mipt x Swivel Mipt					
ST1205	1/2	10	0	030	18.63
ST1207	3/4	10	0	030	21.03
ST1210	1	10	0	030	24.49



4-El Compact Swivel Joints

Part Number	Size	Std Pk	Mstr Ctn	Disc Code	Price Each
Swivel Mipt x Swivel Mipt					
ST4205	1/2	10	0	030	19.78
ST4207	3/4	10	0	030	22.21
ST4210	1	1	10	030	26.80



3-El Compact Swivel Joints

Part Number	Size	Std Pk	Mstr Ctn	Disc Code	Price Each
Swivel Mipt x Mipt					
ST1305	1/2	10	0	030	18.63
ST1307	3/4	10	0	030	21.03
ST1310	1	10	0	030	24.49



4-El Compact Swivel Joints

Part Number	Size	Std Pk	Mstr Ctn	Disc Code	Price Each
Swivel Mipt x Mipt					
ST4305	1/2	10	0	030	19.78
ST4307	3/4	10	0	030	22.21
ST4310	1	10	0	030	26.80

NOT FOR USE WITH COMPRESSED AIR OR GAS

Turf Swivel Joints



Complete Factory Assembly. Available in sizes 1/2", 3/4" and 1" with the following Lay Length Options:

8" = 8L
12" = 12L
15" = 15L
19" = 19L

Choice of the following Inlet & Outlet Options:

Inlet Code
1 = Socket
2 = Spigot
3 = Mipt

Outlet Code
1 = Socket
2 = Mipt
4 = Fipt

To complete part no., specify:
Inlet style: 1, 2, or 3
Outlet style: 1, 2, or 4

Example: To order a 1/2" 3-Ell Turf Swivel Joint with an 8" lay length, a Spigot inlet and an FIPT outlet, the part number is: ST524-208

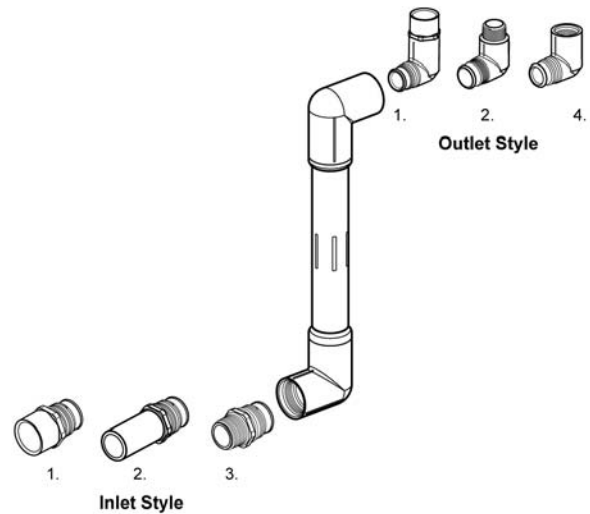
Turf Swivel Joints

Part Number	Size	Std Pk	Mstr Ctn	Disc Code	Price Each
3-Ell Turf Swivel Joints					
ST5__-208	1/2X8L	10	0	030	29.20
ST5__-212	1/2X12L	10	0	030	29.55
ST5__-215	1/2X15L	10	0	030	30.46
ST5__-219	1/2X19L	10	0	030	31.44
ST7__-208	3/4X8L	10	0	030	31.48
ST7__-212	3/4X12L	10	0	030	32.97
ST7__-215	3/4X15L	10	0	030	33.61
ST7__-219	3/4X19L	10	0	030	34.41
ST9__-208	1X8L	10	0	030	34.67
ST9__-212	1X12L	10	0	030	35.76
ST9__-215	1X15L	10	0	030	36.69
ST9__-219	1X19L	10	0	030	37.95
ST57__-208	1/2X3/4X8L	10	0	030	29.20
ST57__-212	1/2X3/4X12L	10	0	030	29.55
ST57__-215	1/2X3/4X15L	10	0	030	30.46
ST57__-219	1/2X3/4X19L	10	0	030	31.44
ST75__-208	3/4X1/2X8L	10	0	030	31.48
ST75__-212	3/4X1/2X12L	10	0	030	32.97
ST75__-215	3/4X1/2X15L	10	0	030	33.61
ST75__-219	3/4X1/2X19L	10	0	030	33.61

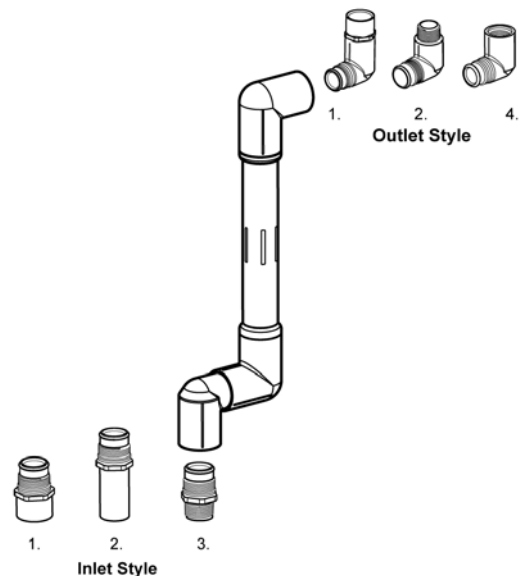
4-Ell Turf Swivel Joints

ST5__-408	1/2X8L	10	0	030	29.83
ST5__-412	1/2X12L	10	0	030	30.18
ST5__-415	1/2X15L	10	0	030	31.02
ST5__-419	1/2X19L	10	0	030	31.93
ST7__-408	3/4X8L	10	0	030	32.11
ST7__-412	3/4X12L	10	0	030	33.53
ST7__-415	3/4X15L	10	0	030	34.17
ST7__-419	3/4X19L	10	0	030	34.90
ST9__-408	1X8L	10	0	030	36.47
ST9__-412	1X12L	10	0	030	37.48
ST9__-415	1X15L	10	0	030	38.39
ST9__-419	1X19L	10	0	030	39.59
ST57__-408	1/2X3/4X8L	10	0	030	29.83
ST57__-412	1/2X3/4X12L	10	0	030	30.18
ST57__-415	1/2X3/4X15L	10	0	030	31.02
ST57__-419	1/2X3/4X19L	10	0	030	31.93
ST75__-408	3/4X1/2X8L	10	0	030	33.61
ST75__-412	3/4X1/2X12L	10	0	030	34.90
ST75__-415	3/4X1/2X15L	10	0	030	34.90
ST75__-419	3/4X1/2X19L	10	0	030	34.90

3-Ell Turf Swivel Joint



4-Ell Turf Swivel Joint



NOT FOR USE WITH COMPRESSED AIR OR GAS

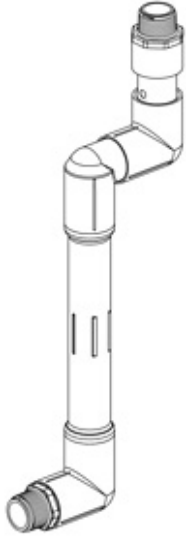
Made in the U.S.A.

Progressive Products from Spears® Innovation and Technology

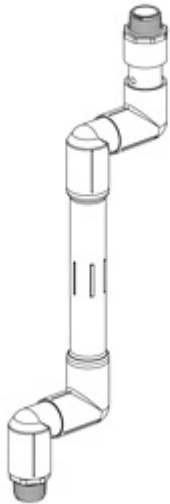


Pressure Regulated Swivel Joints

3-EII Pressure Regulated Swivel Joint



4-EII Pressure Regulated Swivel Joint



Pressure Regulated Swivel Joints

Part Number	Size	Std Pk	Mstr Ctn	Disc Code	Price Each
-------------	------	--------	----------	-----------	------------

3-EII - Mipt x Mipt

ST73PR-208	3/4X8L	10	0	030	58.31
ST73PR-212	3/4X12L	10	0	030	59.90
ST73PR-215	3/4X15L	10	0	030	60.59
ST73PR-219	3/4X19L	0	0	030	61.41
ST93PR-208	1X8L	0	0	030	63.04
ST93PR-212	1X12L	10	0	030	64.19
ST93PR-215	1X15L	10	0	030	65.19
ST93PR-219	1X19L	0	0	030	66.52

4-EII - Mipt x Mipt

ST73PR-408	3/4X8L	0	0	030	61.54
ST73PR-412	3/4X12L	0	0	030	63.15
ST73PR-415	3/4X15L	10	0	030	63.82
ST73PR-419	3/4X19L	0	0	030	64.66
ST93PR-408	1X8L	10	0	030	68.21
ST93PR-412	1X12L	10	0	030	69.35
ST93PR-415	1X15L	10	0	030	70.35
ST93PR-419	1X19L	0	0	030	71.67

Complete Factory Assembly. Available in sizes 3/4" and 1" with Mipt Inlet x Mipt Outlet and the following Lay Length Options:

- 8" = 8L
- 12" = 12L
- 15" = 15L
- 19" = 19L

Maintains constant, uniform pressure to sprinkler at the following pre-set nominal values:

45 psi for 3/4" Turf Swivel Joint

70 psi for 1" Turf Swivel Joint

Not recommended for use in systems with pressures equal to or less than regulated pressures above.

Pressure Rating @ 73°F (23°C), Water

315 psi

NOT FOR USE WITH COMPRESSED AIR OR GAS

Replacement Parts



Coupling

Part Number	Size	Std Pk	Mstr Ctn	Disc Code	Price Each
FAT x FAT					
ST430-007	3/4	1	200	030	6.15
ST430-010	1	1	250	030	8.17



90° Street El

Part Number	Size	Std Pk	Mstr Ctn	Disc Code	Price Each
MAT x FAT					
ST425-005	1/2	200	0	030	5.17
ST425-007	3/4	1	300	030	5.52
ST425-010	1	1	200	030	7.68



90° Elbow

Part Number	Size	Std Pk	Mstr Ctn	Disc Code	Price Each
FAT x FAT					
ST1101-005	1/2	1	300	030	3.55
ST1101-007	3/4	250	0	030	4.10
ST1101-101	3/4X1/2	270	0	030	3.74
ST1101-010	1	150	0	030	6.76



Socket Inlet #1

Part Number	Size	Std Pk	Mstr Ctn	Disc Code	Price Each
SOC x MAT					
ST436-005	1/2	350	0	030	3.32
ST436-007	3/4	50	0	030	3.67
ST436-010	1	330	0	030	6.88



90° Elbow

Part Number	Size	Std Pk	Mstr Ctn	Disc Code	Price Each
FAT x SOC					
ST1102-005	1/2	350	0	030	3.55
ST1102-007	3/4	250	0	030	4.10
ST1102-010	1	1	160	030	6.76



Spigot Inlet #2

Part Number	Size	Std Pk	Mstr Ctn	Disc Code	Price Each
SPG x MAT					
ST105-035	1/2	350	0	030	3.53
ST107-035	3/4	50	0	030	3.95
ST110-040	1	140	0	030	7.20



Replacement Parts



Male Thread Inlet #3

Part Number	Size	Std Pk	Mstr Ctn	Disc Code	Price Each
-------------	------	--------	----------	-----------	------------

Mipt x MAT

ST205-020	1/2	1	25	030	3.13
ST207-020	3/4	350	0	030	3.67
ST210-020	1	150	0	030	3.98



Female Thread Outlet #4

Part Number	Size	Std Pk	Mstr Ctn	Disc Code	Price Each
-------------	------	--------	----------	-----------	------------

MAT x Fipt

ST412-005	1/2	250	0	030	5.17
ST412-007	3/4	1	300	030	5.52
ST412-010	1	200	0	030	7.68



Socket Outlet #1

Part Number	Size	Std Pk	Mstr Ctn	Disc Code	Price Each
-------------	------	--------	----------	-----------	------------

MAT x SOC

ST410-005	1/2	50	0	030	7.05
ST410-007	3/4	1	200	030	7.72
ST410-010	1	1	25	030	8.09



Molded Nipples

Part Number	Size	Std Pk	Mstr Ctn	Disc Code	Price Each
-------------	------	--------	----------	-----------	------------

MAT x MAT

ST207-065	3/4X6-1/2	1	200	030	7.31
ST207-105	3/4X10-1/2	1	115	030	16.84
ST210-065	1X6-1/2	1	120	030	9.40
ST210-105	1X10-1/2	1	25	030	22.27

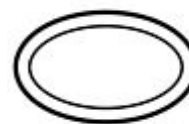


Male Thread Outlet #2

Part Number	Size	Std Pk	Mstr Ctn	Disc Code	Price Each
-------------	------	--------	----------	-----------	------------

MAT x Mipt

ST408-005	1/2	1	250	030	5.17
ST408-007	3/4	1	25	030	5.52
ST408-010	1	1	150	030	8.17



O-ring Seal

Part Number	Size	Std Pk	Mstr Ctn	Disc Code	Price Each
-------------	------	--------	----------	-----------	------------

B-113	1/2	100	0	901	.07
B-115	3/4	100	0	901	.07
B-120	1	100	0	901	.17

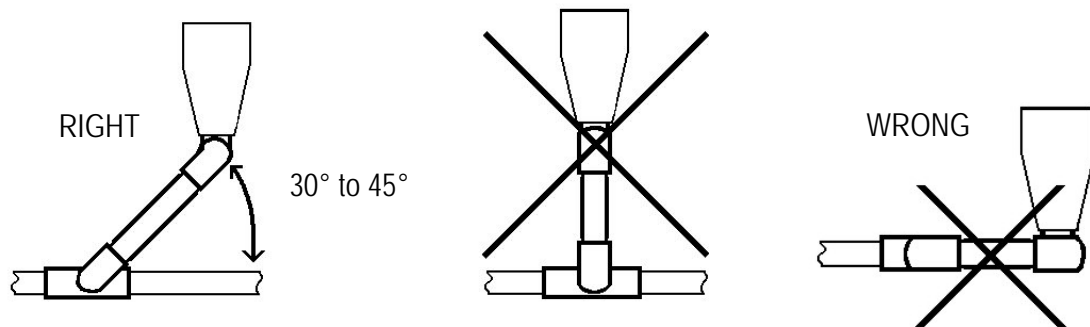
NOT FOR USE WITH COMPRESSED AIR OR GAS

General Installation Information



Turf Swivel Joints, Compact Turf Swivel Joints and Turf Swivel Joint Kits are designed for open discharge systems and are not to be used with valve-in-head sprinklers or quick coupler valves. Can be used with bottom or side sprinklers. Provides 360° adjustment in three planes to place sprinklers at desired locations.

Turf Swivel Joint Assemblies should NOT be installed perpendicular or parallel to the supply line.



Turf Swivel Joint and Compact Turf Swivel Joints are pre-assembled from the factory with O-ring threaded joints. Turf Swivel Joint Kits are provided as two assemblies for use with user supplied pipe in solvent welded field assembly. These joints are pre-lubricated and should not be disassembled, as dirt, sand or other foreign objects could damage the O-ring or threads and cause leakage.

Prior to beginning installation, tighten each O-ring thread joint completely, and then back out the male part one full turn to allow the joint to swivel a full 360°.



Turf Swivel Joints

CONTENT

Turf Swivel Kits

Turf Swivel Joint Kit 3-Ell Swivel Joint Kits	1
Turf Swivel Joint Kit 4-Ell Swivel Joint Kits	2

Compact Turf Swivel Joints

3-Ell Compact Swivel Joints Swivel Mipt x Fipt	3
3-Ell Compact Swivel Joints Swivel Mipt x Swivel Mipt	3
3-Ell Compact Swivel Joints Swivel Mipt x Mipt	3
4-Ell Compact Swivel Joints Swivel Mipt x Fipt	3
4-Ell Compact Swivel Joints Swivel Mipt x Swivel Mipt	3
4-Ell Compact Swivel Joints Swivel Mipt x Mipt	3

Turf Swivel Joints

Turf Swivel Joints 3-Ell Turf Swivel Joints	4
Turf Swivel Joints 4-Ell Turf Swivel Joints	4

Pressure Regulated Swivel Joints

Pressure Regulated Swivel Joints 3-Ell - Mipt x Mipt	5
Pressure Regulated Swivel Joints 4-Ell - Mipt x Mipt	5

Replacement Parts

Coupling FAT x FAT	6
90° Elbow FAT x FAT	6
90° Elbow FAT x SOC	6
90° Street Ell MAT x FAT	6
Socket Inlet #1 SOC x MAT	6
Spigot Inlet #2 SPG x MAT	6
Male Thread Inlet #3 Mipt x MAT	7
Socket Outlet #1 MAT x SOC	7
Male Thread Outlet #2 MAT x Mipt	7
Female Thread Outlet #4 MAT x Fipt	7
Molded Nipples MAT x MAT	7
O-ring Seal	7

General Installation Information

General Installation Information	8
----------------------------------	---

NOTES

NOTES

NOTES

NOTES

NOTES



SPEARS® MANUFACTURING COMPANY • CORPORATE OFFICE

15853 Olden St., Sylmar, CA 91342 • PO Box 9203, Sylmar, CA 91392
(818) 364-1611 • www.spearsmfg.com



PACIFIC SOUTHWEST

15860 Olden St.
Sylmar (Los Angeles), CA 91342
(818) 364-1611 • (800) 862-1499
Fax (818) 367-3014

ROCKY MOUNTAIN

4880 Florence St.
Denver, CO 80238
(303) 371-9430 • (800) 777-4154
Fax (303) 375-9546

UTAH

5395 West 1520 South
Salt Lake City, UT 84104
(303) 371-9430 • (800) 777-4154
Fax (303) 375-9546

SOUTHEAST

4205 Newpoint Pl., Suite 100
Lawrenceville (Atlanta), GA 30043
(678) 985-1263 • (800) 662-6326
Fax (678) 985-5642

MIDWEST

1 Gateway Ct., Suite A
Bolingbrook (Chicago), IL 60440
(630) 759-7529 • (800) 662-6330
Fax (630) 759-7515

NORTHWEST

4103 C St. NE Suite 200
Auburn (Seattle), WA 98002
(253) 939-4433 • (800) 347-7327
Fax (253) 939-7557

SOUTH CENTRAL

1000 Lakeside Parkway
Flower Mound, TX 75028
(469) 528-3000 • (800) 441-1437
Fax (469) 528-3001

NORTHEAST

590 Industrial Dr., Suite 100
Lewisberry (Harrisburg), PA 17339-9532
(717) 938-8844 • (800) 233-0275
Fax (717) 938-6547

FLORIDA

9563 Parksouth Court
Orlando, FL 32837
(407) 843-1960 • (800) 327-6390
Fax (407) 425-3563

INTERNATIONAL SALES

15853 Olden St.
Sylmar (Los Angeles), CA 91342
(818) 364-1611 • Fax (818) 898-3774