



PART 1

Thermoplastic Valves, Strainers & Accessories

Ball Valves



Visit our web site:
www.spearsmfg.com

See Spears® On-line Catalog for most current pricing, updated daily.

PRICE SCHEDULE: V-1-0910
Part 1

Effective: September 26, 2010
Supersedes: V-1-1009A



Quality Systems Certificate No. 293
Corporate Facilities, Sylmar, CA
Assessed to ISO 9001: 2008

2010 EDITION

HOW TO USE THIS CATALOG

This catalog Price Schedule has been divided into the four (4) parts listed below for convenience of use according to product type. A complete listing of content for all parts 1 through 4 is located on the following pages.

Part 1: Ball Valves

Part 2: Gate, Globe, Butterfly, Needle & Diaphragm Valves

Part 3: Check Valves

Part 4: Y-Pattern Valves, Strainers, Filters & Gauge Guards

Information has been arranged for easy use in selection of desired products according to product type and configuration options with packaging and pricing information. Individual product dimensions, features and technical data can be found in Spears® Thermoplastic Valves & Accessories Product Guide & Engineering Specifications Publication V-4 and Spears® Actuated Thermoplastic Valves Product Guide & Engineering Specifications Publication AV-4 for electric and pneumatic valve actuation package specifications.

ORGANIZATION

Product types are identified in the Page Heading. While variations exist in format, the typical page layout groups product types in columns by Valve Material with subsections by End Connector option, then sorted in rows by Size. For each row according to valve Size, the part number is located under the O-ring Material column (i.e. EPDM, Viton®) with the List Price in bold print immediately below the part number, followed by packaging and discount code information. Additional technical information and options are listed in the margins.

COLUMN HEADER INFORMATION

Each product column header identifies the following particulars for the selected valve material and end connector option. Again, variations exist according to product type and configurations.

Size	The nominal diameter of the pipe with which the valve is to be used.
Seal Type (i.e., EPDM, Viton®)	Designated elastomer seal (O-ring, Seat, Diaphragm, etc.) NOTE: Part Number and List Price are typically specified under the seal type columns. Certain products may have other column header designations under which part number and pricing are specified in a similar manner.
Standard Pack (Std Pk)	The quantity of parts packaged in an individual box or bag.
Master Pack (Mstr Pk)	The total quantity of parts contained in a single packaging of multiple Standard Packs.
Discount Codes	Identification code for applicable discounts to the product's list price. Note: this is a Product Group code and NOT a calculation of discount. Discount codes are not the same for all products contained in this price schedule.

PRODUCT ILLUSTRATIONS

Photographic illustrations are general representations of valves in a group, but may not be an exact depiction of all configurations listed.

EXAMPLE

Typical Presentation Photo



Socket Style

Pressure Rating
@ 73°F (23°C) Water

1/2" - 4"	235 psi
6" - 8"	150 psi
Flanged	150 psi

Maximum Service Temperature
PVC=140°F (60°C)
CPVC=200°F (93°C)

Temperature/Pressure
De-ratings Apply

Technical Data

Product Type
(Page Heading)

True Union 2000 Industrial Ball Valves

Material	PVC Industrial					
	Size	EPDM	Viton®	Std Pk	Mstr Pk	Disc Code
End Connector	Socket Ends			Part Number		
	1/2	1829-005 XX.XX	1829-005 XX.XX	1	18	101
		Price				

CONFIGURATION DESCRIPTIONS

Definitions of abbreviated configuration descriptions follow.

Fipt	Female Iron Pipe Thread
IPS	Iron Pipe Size
Mipt	Male Iron Pipe Thread
Soc	Solvent Weld Socket (IPS)
Spig	Spigot End (IPS)
SR	Special Reinforced Plastic Female Thread
SS	Stainless Steel

DISCOUNT CODES

004	Miscellaneous Specialty Valves PVC CPVC
026	PVC Utility Swing & Spring Check Valves thru 8"
055	PVC Backwater Valves
102	PVC Gray Y-Strainers
103	PVC Clear Y-Strainers
104	CPVC Gray Y-Strainers
108	PVC Swing Check Valves 3/4" - 2"
109	CPVC Swing Check Valves 3/4" - 2"
110	PVC Swing Check Valves 2-1/2" & Larger
111	CPVC Swing Check Valves 2-1/2" & Larger
112	PP Swing Check Valves 2-1/2" & Larger
113	PP Swing Check Valves 3/4" - 2"
200	Gate Valves PVC thru 2"
201	Gate Valves PVC 2-1/2" & Larger
202	Gate Valves CPVC thru 2"
203	Gate Valves CPVC 2-1/2" & Larger
210	Compact Ball Valves PVC thru 2"
211	Compact Ball Valves PVC 3", 4" & 6"
212	Compact Ball Valves CPVC thru 2"
213	Compact Ball Valves CPVC 3", 4" & 6"
214	Utility Ball Valves PVC 3", 4" & 6"
215	Utility Ball Valves PVC thru 2"
216	Utility Ball Valves CPVC thru 2"
218	Lab & Needle Valves PVC
219	Lab & Needle Valves CPVC & PP
220	PVC True Union Ball Check Valve thru 4"
221	PVC True Union Ball Check Valve 6" & Larger
222	CPVC True Union Ball Check Valves thru 4"
223	CPVC True Union Ball Check Valves 6" & Larger
230	PVC True Union Ball Valve thru 4"
231	PVC True Union Ball Valve 6" & Larger
232	CPVC True Union Ball Valve thru 4"
233	CPVC True Union Ball Valve 6" & Larger
240	Single Entry Ball Valves PVC thru 4"
250	Butterfly Valves PVC thru 12"
251	PVC Butterfly Valves 14" & Larger
252	CPVC Butterfly Valves thru 12"
253	CPVC Butterfly Valves 14" & Larger
254	Butterfly Valves High Purity TFM Lined thru 6"
256	Butterfly Valves PP thru 12"
257	Butterfly Valves PP 14" & Larger
260	Pool Butterfly Valve, Manual 1-1/2" thru 8"
261	Pool Butterfly Valve, Gear Operator 1-1/2" thru 12"
263	PVC Tee Valves
264	CPVC Tee Valves
270	Diaphragm Valves PVC thru 2"
271	Diaphragm Valves PVC 2-1/2" & Larger
272	Diaphragm Valves CPVC thru 2"
273	Diaphragm Valves CPVC 2-1/2" & Larger
280	Diaphragm Valves PP thru 2"
281	Diaphragm Valves PP 2-1/2" & Larger
289	Butterfly Check Valves PVC thru 12"
290	Butterfly Check Valves CPVC thru 12"
295	T-Filter & Basket Strainer PVC 3" thru 12"
296	T-Filters CPVC
297	T-Filter & Basket Strainer CPVC 3" thru 12"
299	Valve Accessories, Repair Kits, Components
558	PVC True Union 2000 Industrial Ball Check Valves 6"
559	CPVC True Union 2000 Industrial Ball Check Valves 6"
600	PVC True Union 2000 Industrial Ball Valves 1/2" thru 2"
601	PVC True Union 2000 Industrial Ball Valves 2-1/2" thru 4"
602	CPVC True Union 2000 Industrial Ball Valves 1/2" thru 2"
603	CPVC True Union 2000 Industrial Ball Valves 2-1/2" thru 4"
604	PVC True Union 2000 Industrial Ball Check Valves 1/2" thru 2"
605	PVC True Union 2000 Industrial Ball Check Valves 2-1/2" thru 4"
606	CPVC True Union 2000 Industrial Ball Check Valves 1/2" thru 2"
607	CPVC True Union 2000 Industrial Ball Check Valves 2-1/2" thru 4"
608	PVC True Union 2000 Standard Ball Valves 1/2" thru 2"
609	PVC True Union 2000 Standard Ball Valves 2-1/2" thru 4"
610	CPVC True Union 2000 Standard Ball Valves 1/2" thru 2"
611	CPVC True Union 2000 Standard Ball Valves 2-1/2" thru 4"
612	PVC True Union 2000 Industrial Ball Valves 6"
613	CPVC True Union 2000 Industrial Ball Valves 6"
615	PVC Horizontal & Vertical 3-Way Ball Valves
617	CPVC Horizontal & Vertical 3-Way Ball Valves
620	PVC Standard Globe & Y-Pattern Valves 1/2" thru 4"
621	PVC Clear Globe & Y-Pattern Valves 1/2" thru 4"
622	CPVC Standard Globe & Y-Pattern Valves 1/2" thru 4"
624	Gauge Guard - PVC
625	Gauge Guard - CPVC
626	Gauge Guard - Glass Reinforced PP
627	PVC Y-Check Valves 1/2" thru 4"
628	PVC Clear Y-Check Valves 1/2" thru 4"
629	CPVC Y-Check Valves 1/2" thru 4"
901	Miscellaneous Components

CONTENT

Part 1: Ball Valves

Catalog Information, How To Use This Catalog, Organization, Column Header Information, Product Illustrations.....	I
Configuration Descriptions, Discount Codes	II
Content	III
PVC True Union 2000 Industrial Ball Valves	1
PVC 6" Industrial T-Handle Valve Option (Non-Locking)	2
CPVC True Union 2000 Industrial Ball Valves	3
CPVC 6" Industrial T-Handle Valve Option (Non-Locking)	4
PVC True Union 2000 Industrial Vented/Bleach Ball Valves	5
CPVC True Union 2000 Industrial Vented/Bleach Ball Valves.....	6
True Union 2000 Industrial 3-Way Ball Valves.....	7
PVC & CPVC True Union 2000 Industrial 3-Way Horizontal Diverter Ball Valves	8
PVC Vertical 3-Way Ball Valves.....	9
CPVC Vertical 3-Way Ball Valves	10
PVC Mainline Tee-Style "Zero Dead-Leg" Ball Valves.....	12
CPVC Mainline Tee-Style "Zero Dead-Leg" Ball Valves	13
PVC & CPVC Metric Tee-Style "Zero Dead-Leg" Ball Valves	13
PVC True Union 2000 Standard Ball Valves	14
CPVC True Union 2000 Standard Ball Valves	15
PVC & CPVC True Union 2000 Industrial Retrofit Ball Valves - Replaces Other Brand Valves	16
PVC & CPVC True Union 2000 Industrial Retrofit Ball Valves - Replaces Spears® "Regular Style" Valves	17
PVC & CPVC True Union 2000 Standard Retrofit Ball Valves - Replaces Other Brand Valves	18
PVC & CPVC True Union 2000 Standard Retrofit Ball Valves - Replaces Spears® "Regular Style" Valves	19
PVC True Union Ball Valves (Regular Style)	20
CPVC True Union Ball Valves (Regular Style)	21
PVC & CPVC Compact 2000 Ball Valves.....	22
PVC Compact Ball Valves (Regular Style)	23
CPVC Compact Ball Valves (Regular Style).....	24
PVC White Single Entry Ball Valves	25
PVC Gray Single Entry Ball Valves	26
PVC White, PVC Gray & CPVC Utility Ball Valves.....	27
PVC & CPVC Lab Ball Valves	28
PVC & CPVC True Union Retrofit Kits - Other Brand Valves	29
PVC & CPVC True Union Retrofit Kits - Older "Regular Style" Spears® Valves	30
PVC & CPVC Supplemental End Connector Sets Threaded Ends	31
PVC & CPVC Supplemental End Connector Sets Socket Ends & Spigot Ends.....	32
Ball Valve Accessories & Repair Kits.....	33

Part 2: Gate, Globe, Butterfly, Needle & Diaphragm Valves

Catalog Information, How To Use This Catalog, Organization, Column Header Information, Product Illustrations.....	I
Configuration Descriptions, Discount Codes	II
Content	III
PVC Gate Valves.....	1
CPVC Gate Valves	2
PVC Plug Gate Valves.....	3
CPVC Plug Gate Valves	4
Gate Valve Accessories & Repair Kits.....	5
PVC & CPVC Globe Valves, PVC & CPVC Internal Repair Kits	6
High Purity TFM-Lined Butterfly Valves TFM-Lined Viton® O-ring Seal	7
PVC Butterfly Valves	8
CPVC Butterfly Valves.....	9
PVC Lug Butterfly Valves - Zinc Plated Lug Inserts	10
CPVC Lug Butterfly Valves - Zinc Plated Lug Inserts.....	11
PVC Lug Butterfly Valves - Stainless Steel Lug Inserts.....	12
CPVC Lug Butterfly Valves - Stainless Steel Lug Inserts	13
PVC True Lug Butterfly Valves - Zinc Plated Lugs	14
CPVC True Lug Butterfly Valves - Zinc Plated Lugs.....	15
PVC True Lug Butterfly Valves - Stainless Steel Lugs	16
CPVC True Lug Butterfly Valves - Stainless Steel Lugs.....	17
Polypropylene Butterfly Valves	18
Large Diameter Polypropylene Butterfly Valves	19
PVC Pool Butterfly Valves	20
PVC Wafer Butterfly Valves	21
CPVC Wafer Butterfly Valves	22
Butterfly Valve Accessories & Repair Kits	23
PVC, CPVC & PP Globe and Angle Pattern Needle Valves.....	35
Diaphragm Valves	36
PVC Diaphragm Valves	37
CPVC Diaphragm Valves	38
PP Diaphragm Valves.....	39
Tee-Style "Zero Dead-Leg" Diaphragm Valves.....	41
Diaphragm Valve Repair Kits.....	42

Part 3: Check Valves

Catalog Information, How To Use This Catalog, Organization, Column Header Information, Product Illustrations.....	I
Configuration Descriptions, Discount Codes.....	II
Content.....	III
PVC True Union 2000 Industrial Ball Check Valves.....	1
CPVC True Union 2000 Industrial Ball Check Valves.....	2
Foot Valve Screens.....	4
PVC True Union Ball Check Valves (Regular Style).....	5
CPVC True Union Ball Check Valves (Regular Style).....	6
PVC, CPVC & PP Industrial Swing Check Valves.....	7
PVC, CPVC & PP Swing Check Valves With Arrow Indicator, PVC, CPVC & PP Swing Check Valves With Counter Balance.....	8
Industrial Swing Check Valve Repair Kits.....	10
PVC White & PVC Clear Utility Swing Check Valves.....	11
PVC White & PVC Clear Compression Utility Swing Check Valves, Compression Coupling Nut Wrenches & Nut Wrench Sets.....	12
PVC White & PVC Clear True Union Utility Swing Check Valves.....	13
PVC White & PVC Clear Utility Spring Check Valves.....	14
PVC White & PVC Clear True Union Utility Spring Check Valves.....	15
PVC In-line Adjustable Spring Check Valves.....	16
PVC & CPVC Diaphragm Check Valves.....	17
PVC Y-Check Valves.....	18
PVC Clear & CPVC Y-Check Valves.....	19
PVC & PVC Clear Y-Check Valves True Union Ends.....	20
CPVC Y-Check Valves True Union Ends.....	21
Y-Check Valve Repair Kits.....	22
PVC Butterfly Check Valves.....	23
CPVC Butterfly Check Valves.....	24
PVC & CPVC Butterfly Check Valve Repair Kits.....	26
PVC Backwater Valves.....	27

Part 4: Y-Pattern Valves, Strainers, Filters & Gauge Guards

Catalog Information, How To Use This Catalog, Organization, Column Header Information, Product Illustrations.....	I
Configuration Descriptions, Discount Codes.....	II
Content.....	III
PVC Y-Pattern Valves.....	1
PVC Clear & CPVC Y-Pattern Valves.....	2
PVC & PVC Clear Y-Pattern True Union Ends.....	3
CPVC Y-Pattern True Union Ends.....	4
PVC & CPVC Y-Pattern Valve Repair Kits.....	5
Y-Check Valves See V-1 Part 3 - Check Valves.....	6
Y-Strainers.....	7
PVC Y-Strainers.....	8
PVC Clear Y-Strainers.....	9
CPVC Y-Strainers.....	10
PVC Gray True Union Y-Strainers.....	11
PVC Clear True Union Y-Strainers.....	12
CPVC True Union Y-Strainers.....	13
Basket Strainers.....	14
PVC Basket Strainers.....	15
CPVC Basket Strainers.....	16
PVC Suction Strainers.....	18
In-line Tee-Style Filters.....	19
PVC Gray Reverse Tee Filter Stainless Steel Screen, CPVC Tee Filter Stainless Steel Screen.....	20
CPVC Reverse Tee Filter Stainless Steel Screen, Filter Replacement Screens for TF Filters, Filter Replacement Screens for MTF Filters, Reverse Flow Filter Replacement Screens for TFR Filters, Reverse Flow Filter Replacement Screens for MTFR Filters.....	21
PVC Gauge Guards.....	22
CPVC & PP Gauge Guards.....	23
Supplemental Information	
Limited Lifetime Warranty.....	24
Recommendations For Installers And Users.....	25
Electro Series Actuated Ball Valves, Custom Actuated Valve Packages, Standards & Specifications, Spears® Quality Policy.....	26



True Union 2000 Industrial Ball Valves



Socket Style



SR Threaded Style



6" Lever Handle Style

Pressure Rating @ 73°F (23°C), Water

- 1/2" - 4" 235 psi
- 6" - 8" 150 psi
- All Flanged 150 psi

Maximum Service Temperature

- PVC = 140°F (60°C)
- CPVC = 200°F (93°C)

Temperature/Pressure De-ratings Apply

Rated for Vacuum Service

PVC Industrial

Size	EPDM	Viton®	Std Pk	Mstr Pk	Disc Code
------	------	--------	--------	---------	-----------

Threaded & Socket Ends

1/2	1829-005 47.21	1839-005 52.51	1	18	600
3/4	1829-007 55.86	1839-007 62.14	1	18	600
1	1829-010 66.52	1839-010 74.09	1	12	600
1-1/4	1829-012 92.02	1839-012 117.46	1	8	600
1-1/2	1829-015 110.84	1839-015 123.04	1	8	600
2	1829-020 146.26	1839-020 161.06	1	4	600

Socket Ends

2-1/2	1822-025 281.15	1832-025 380.96	1	0	601
3	1822-030 370.67	1832-030 411.86	1	0	601
4	1822-040 626.28	1832-040 695.87	1	0	601
6	1822-060 1352.89	1832-060 1501.36	1	0	612
8	1822-080 1799.35	1832-080 1996.81	1	0	612

8" Venturied valves are 6" ball valves fitted with 6x8 end connector adapters.

Threaded Ends

2-1/2	1821-025 281.15	1831-025 380.96	1	0	601
3	1821-030 370.67	1831-030 411.86	1	0	601
4	1821-040 626.28	1831-040 695.87	1	0	601
6	1821-060 1352.89	1831-060 1501.36	1	0	612

SR Threaded Ends

1/2	1821-005SR 48.21	1831-005SR 53.54	1	18	600
3/4	1821-007SR 58.29	1831-007SR 64.60	1	18	600
1	1821-010SR 68.96	1831-010SR 76.53	1	12	600
1-1/4	1821-012SR 99.35	1831-012SR 124.80	1	8	600
1-1/2	1821-015SR 118.73	1831-015SR 130.93	1	8	600
2	1821-020SR 154.80	1831-020SR 169.44	1	4	600
2-1/2	1821-025SR 304.12	1831-025SR 403.90	1	0	601
3	1821-030SR 393.65	1831-030SR 434.83	1	0	601
4	1821-040SR 653.10	1831-040SR 722.69	1	0	601
6	1821-060SR 1391.15	1831-060SR 1539.60	1	0	612

NOT FOR USE WITH COMPRESSED AIR OR GAS

Spears® Manufacturing Company

Progressive Products from Spears® Innovation and Technology

True Union 2000 Industrial Ball Valves



PVC Industrial

Size	EPDM	Viton®	Std Pk	Mstr Pk	Disc Code
Spigot Ends					
1/2	1827-005 47.21	1837-005 52.51	1	18	600
3/4	1827-007 55.86	1837-007 62.14	1	18	600
1	1827-010 66.52	1837-010 74.09	1	12	600
1-1/4	1827-012 92.02	1837-012 117.46	1	8	600
1-1/2	1827-015 110.84	1837-015 123.04	1	8	600
2	1827-020 146.26	1837-020 161.06	1	4	600
2-1/2	1827-025 281.15	1837-025 380.96	1	0	601
3	1827-030 370.67	1837-030 411.86	1	0	601
4	1827-040 626.28	1837-040 695.87	1	0	601
6	1827-060 1352.89	1837-060 1501.36	1	0	612

Flanged Ends

1/2	1823-005 67.53	1833-005 72.02	1	8	600
3/4	1823-007 85.54	1833-007 93.05	1	8	600
1	1823-010 103.53	1833-010 111.35	1	8	600
1-1/4	1823-012 121.57	1833-012 135.06	1	8	600
1-1/2	1823-015 153.10	1833-015 166.59	1	4	600
2	1823-020 243.78	1833-020 258.56	1	0	600
2-1/2	1823-025 450.21	1833-025 457.66	1	0	601
3	1823-030 497.62	1833-030 617.83	1	0	601
4	1823-040 1000.54	1833-040 1159.79	1	0	601
6	1823-060 2130.35	1833-060 2470.10	1	0	612
8	1823-080 2833.36	1833-080 3285.23	1	0	612

8" Venturied valves are 6" ball valves fitted with 6x8 end connector adapters.

PVC 6" Industrial T-Handle Valve Option (Non-Locking)

Size	EPDM	Viton®	Std Pk	Mstr Pk	Disc Code
Socket Ends					
6	18226-060 1352.89	18326-060 1501.36	1	0	612
Threaded Ends					
6	18216-060 1352.89	18316-060 1501.36	1	0	612

PVC 6" Industrial T-Handle Valve Option (Non-Locking)

Size	EPDM	Viton®	Std Pk	Mstr Pk	Disc Code
SR Threaded Ends					
6	18216-060SR 1391.15	18316-060SR 1539.60	1	0	612
Flanged Ends					
6	18236-060 2130.35	18336-060 2470.10	1	0	612

Note: Standard 6" Valve uses lockout type Lever-Style Handle for proper leverage. Non-locking T-Handle is more compact, but will increase difficulty of operation.

NOT FOR USE WITH COMPRESSED AIR OR GAS

Made in the U.S.A.

Progressive Products from Spears® Innovation and Technology

Page 2



True Union 2000 Industrial Ball Valves

True Union 2000 Industrial Ball Valves have Built-in Handle Lockouts (except 6" T-Handle Option)

All Valves Assembled with Silicone-Free, Water Soluble Lubricant

Contact Spears® for Pricing on Custom Elastomer Seals

See Ball Valve Accessories & Repair Kits Section for Additional Options and Features

CPVC Industrial

Size	EPDM	Viton®	Std Pk	Mstr Pk	Disc Code
Threaded & Socket Ends					
1/2	1829-005C 62.35	1839-005C 69.28	1	18	602
3/4	1829-007C 78.52	1839-007C 87.27	1	18	602
1	1829-010C 93.48	1839-010C 103.86	1	12	602
1-1/4	1829-012C 148.61	1839-012C 165.17	1	8	602
1-1/2	1829-015C 156.95	1839-015C 174.39	1	8	602
2	1829-020C 209.90	1839-020C 241.30	1	4	602

Socket Ends

2-1/2	1822-025C 470.62	1832-025C 522.88	1	0	603
3	1822-030C 550.26	1832-030C 611.45	1	0	603
4	1822-040C 997.11	1832-040C 1107.88	1	0	603
6	1822-060C 2122.69	1832-060C 2358.38	1	0	613
8	1822-080C 2823.20	1832-080C 3136.67	1	0	613

8" Venturied valves are 6" ball valves fitted with 6x8 end connector adapters.

Threaded Ends

2-1/2	1821-025C 470.62	1831-025C 522.88	1	0	603
3	1821-030C 550.26	1831-030C 611.45	1	0	603
4	1821-040C 997.11	1831-040C 1107.88	1	0	603
6	1821-060C 2122.69	1831-060C 2358.38	1	0	613

SR Threaded Ends

1/2	1821-005CSR 63.35	1831-005CSR 70.29	1	18	602
3/4	1821-007CSR 80.97	1831-007CSR 89.71	1	18	602
1	1821-010CSR 95.93	1831-010CSR 106.29	1	12	602
1-1/4	1821-012CSR 155.96	1831-012CSR 172.52	1	8	602
1-1/2	1821-015CSR 164.85	1831-015CSR 182.26	1	8	602
2	1821-020CSR 218.45	1831-020CSR 249.85	1	4	602
2-1/2	1821-025CSR 493.60	1831-025CSR 545.85	1	0	603
3	1821-030CSR 573.23	1831-030CSR 634.41	1	0	603
4	1821-040CSR 1023.91	1831-040CSR 1134.72	1	0	603
6	1821-060CSR 2180.86	1831-060CSR 2416.54	1	0	613

NOT FOR USE WITH COMPRESSED AIR OR GAS

Spears® Manufacturing Company

Progressive Products from Spears® Innovation and Technology

True Union 2000 Industrial Ball Valves



CPVC Industrial

Size	EPDM	Viton®	Std Pk	Mstr Pk	Disc Code
Spigot Ends					
1/2	1827-005C 62.35	1837-005C 69.28	1	18	602
3/4	1827-007C 78.52	1837-007C 87.27	1	18	602
1	1827-010C 93.48	1837-010C 103.86	1	12	602
1-1/4	1827-012C 148.61	1837-012C 165.17	1	8	602
1-1/2	1827-015C 156.95	1837-015C 174.39	1	8	602
2	1827-020C 209.90	1837-020C 241.30	1	4	602
2-1/2	1827-025C 470.62	1837-025C 522.88	1	0	603
3	1827-030C 550.26	1837-030C 611.45	1	0	603
4	1827-040C 997.11	1837-040C 1107.88	1	0	603
6	1827-060C 2122.69	1837-060C 2358.38	1	0	613

Flanged Ends

1/2	1823-005C 105.79	1833-005C 108.07	1	8	602
3/4	1823-007C 129.68	1833-007C 135.06	1	8	602
1	1823-010C 148.45	1833-010C 157.59	1	8	602
1-1/4	1823-012C 221.81	1833-012C 229.60	1	8	602
1-1/2	1823-015C 243.98	1833-015C 252.11	1	4	602
2	1823-020C 339.51	1833-020C 404.35	1	0	602
2-1/2	1823-025C 633.67	1833-025C 760.61	1	0	603
3	1823-030C 926.70	1833-030C 947.83	1	0	603
4	1823-040C 1625.28	1833-040C 1690.28	1	0	603
6	1823-060C 3461.83	1833-060C 3599.57	1	0	613
8	1823-080C 4604.22	1833-080C 4787.41	1	0	613

8" Venturied valves are 6" ball valves fitted with 6x8 end connector adapters.

CPVC 6" Industrial T-Handle Valve Option (Non-Locking)

Size	EPDM	Viton®	Std Pk	Mstr Pk	Disc Code
Socket Ends					
6	18226-060C 2122.69	18326-060C 2358.38	1	0	613
Threaded Ends					
6	18216-060C 2122.69	18316-060C 2358.38	1	0	613

CPVC 6" Industrial T-Handle Valve Option (Non-Locking)

Size	EPDM	Viton®	Std Pk	Mstr Pk	Disc Code
SR Threaded Ends					
6	18216-060CSR 2180.86	18316-060CSR 2416.54	1	0	613
Flanged Ends					
6	18236-060C 3461.83	18336-060C 3599.57	1	0	613

Note: Standard 6" Valve uses lockout type Lever-Style Handle for proper leverage. Non-locking T-Handle is more compact, but will increase difficulty of operation.

NOT FOR USE WITH COMPRESSED AIR OR GAS

Made in the U.S.A.

Progressive Products from Spears® Innovation and Technology

Page 4



True Union 2000 Industrial Vented/Bleach Ball Valves



Pressure Rating @ 73°F (23°C), Water

1/2" - 4"	235 psi
6"	150 psi

Same True Union 2000 Industrial Ball Valve with Special Ball Vent Design for Sodium Hypochlorite (Bleach) and other Chemical Applications where entrapped fluids may form caustic crystalline residues and pressure build up from gases developed. Valve has a 1/8" vent hole in ball to equalize internal fluid pressures. Install valve with ball vent on the pressure (upstream) side when in closed position.

All Valves assembled with Silicone-Free,
Water Soluble Lubricant

Contact Spears® for Pricing & Availability
on Custom Elastomer Seals

See Ball Valve Accessories & Repair Kits Section
for Additional Options and Features

PVC True Union 2000 Industrial Vented Ball Valves

Size	EPDM	Viton®	Std Pk	Mstr Pk	Disc Code
------	------	--------	--------	---------	-----------

Threaded & Socket Ends

1/2	1829V-005	1839V-005	1	18	600
	55.53	61.81			
3/4	1829V-007	1839V-007	1	18	600
	65.71	73.09			
1	1829V-010	1839V-010	1	12	600
	78.27	87.16			
1-1/4	1829V-012	1839V-012	1	8	600
	108.27	138.18			
1-1/2	1829V-015	1839V-015	1	8	600
	130.39	144.76			
2	1829V-020	1839V-020	1	4	600
	172.06	189.49			

Socket Ends

2-1/2	1822V-025	1832V-025	1	0	601
	330.76	448.17			
3	1822V-030	1832V-030	1	0	601
	370.67	484.53			
4	1822V-040	1832V-040	1	0	601
	626.28	818.66			
6	1822V-060	1832V-060	1	0	612
	1591.65	1876.69			

SR Threaded Ends

1/2	1821V-005SR	1831V-005SR	1	18	600
	56.73	63.00			
3/4	1821V-007SR	1831V-007SR	1	18	600
	68.57	75.99			
1	1821V-010SR	1831V-010SR	1	12	600
	81.14	90.05			
1-1/4	1821V-012SR	1831V-012SR	1	8	600
	116.89	146.81			
1-1/2	1821V-015SR	1831V-015SR	1	8	600
	139.69	154.05			
2	1821V-020SR	1831V-020SR	1	4	600
	182.12	199.33			
2-1/2	1821V-025SR	1831V-025SR	1	0	601
	357.79	475.18			
3	1821V-030SR	1831V-030SR	1	0	601
	463.13	511.56			
4	1821V-040SR	1831V-040SR	1	0	601
	768.34	850.23			

NOT FOR USE WITH COMPRESSED AIR OR GAS

Spears® Manufacturing Company

Progressive Products from Spears® Innovation and Technology

True Union 2000 Industrial Vented/Bleach Ball Valves



PVC True Union 2000 Industrial Vented/Bleach Ball Valves

Size	EPDM	Viton®	Std Pk	Mstr Pk	Disc Code
Flanged Ends					
1/2	1823V-005 79.57	1833V-005 85.00	1	8	600
3/4	1823V-007 100.65	1833V-007 109.46	1	8	600
1	1823V-010 121.80	1833V-010 130.98	1	8	600
1-1/4	1823V-012 143.03	1833V-012 195.97	1	8	600
1-1/2	1823V-015 180.12	1833V-015 195.97	1	4	600
2	1823V-020 286.80	1833V-020 304.19	1	0	600
2-1/2	1823V-025 529.66	1833V-025 538.41	1	0	601
3	1823V-030 585.43	1833V-030 726.84	1	0	601
4	1823V-040 1177.11	1833V-040 1364.47	1	0	601
6	1823V-060 2506.31	1833V-060 2906.00	1	0	612

CPVC True Union 2000 Industrial Vented Ball Valves

Size	EPDM	Viton®	Std Pk	Mstr Pk	Disc Code
Threaded & Socket Ends					
1/2	1829V-005C 73.34	1839V-005C 81.50	1	18	602
3/4	1829V-007C 92.37	1839V-007C 102.67	1	18	602
1	1829V-010C 109.98	1839V-010C 122.19	1	12	602
1-1/4	1829V-012C 174.84	1839V-012C 194.34	1	8	602
1-1/2	1829V-015C 184.65	1839V-015C 205.16	1	8	602
2	1829V-020C 246.96	1839V-020C 283.87	1	4	602
Socket Ends					
2-1/2	1822V-025C 553.67	1832V-025C 615.13	1	0	603
3	1822V-030C 647.37	1832V-030C 719.33	1	0	603
4	1822V-040C 1173.05	1832V-040C 1303.40	1	0	603
6	1822V-060C 2497.30	1832V-060C 2774.57	1	0	613

SR Threaded Ends

1/2	1821V-005CSR 74.51	1831V-005CSR 82.70	1	18	602
3/4	1821V-007CSR 95.27	1831V-007CSR 105.52	1	18	602
1	1821V-010CSR 112.83	1831V-010CSR 125.04	1	12	602

CPVC True Union 2000 Industrial Vented Ball Valves (continued)

Size	EPDM	Viton®	Std Pk	Mstr Pk	Disc Code
SR Threaded Ends					
1-1/4	1821V-012CSR 183.46	1831V-012CSR 202.97	1	8	602
1-1/2	1821V-015CSR 193.94	1831V-015CSR 214.44	1	8	602
2	1821V-020CSR 257.01	1831V-020CSR 293.94	1	4	602
2-1/2	1821V-025CSR 580.70	1831V-025CSR 642.17	1	0	603
3	1821V-030CSR 674.40	1831V-030CSR 746.37	1	0	603
4	1821V-040CSR 1204.61	1831V-040CSR 1334.97	1	0	603

CPVC True Union 2000 Industrial Vented/Bleach Ball Valves

Size	EPDM	Viton®	Std Pk	Mstr Pk	Disc Code
Flanged Ends					
1/2	1823V-005C 124.45	1833V-005C 127.13	1	8	602
3/4	1823V-007C 152.56	1833V-007C 158.93	1	8	602
1	1823V-010C 174.65	1833V-010C 185.40	1	8	602
1-1/4	1823V-012C 260.96	1833V-012C 270.11	1	8	602
1-1/2	1823V-015C 287.03	1833V-015C 296.61	1	4	602
2	1823V-020C 399.43	1833V-020C 475.69	1	0	602
2-1/2	1823V-025C 745.50	1833V-025C 894.83	1	0	603
3	1823V-030C 1090.23	1833V-030C 1115.07	1	0	603
4	1823V-040C 1988.55	1833V-040C 1988.57	1	0	603
6	1823V-060C 4234.79	1833V-060C 4234.79	1	0	613

NOT FOR USE WITH COMPRESSED AIR OR GAS



True Union 2000 Industrial 3-Way Ball Valves

Pressure Rating @ 73°F (23°C), Water

- 1/2" - 2" 235 psi
- 2-1/2" - 4" 150 psi
- Flanged 150 psi

Maximum Service Temperature

- PVC = 140°F (60°C)
- CPVC = 200°F (93°C)

Temperature/Pressure De-ratings Apply

Vertical 3-Way or Horizontal Diverter Design
(No Branch Shut-off)

All Standard Carton Quantities are one

All Valves assembled with Silicone-Free,
Water Soluble Lubricant

See Ball Valve Accessories & Repair Kits Section
for Additional Options and Features

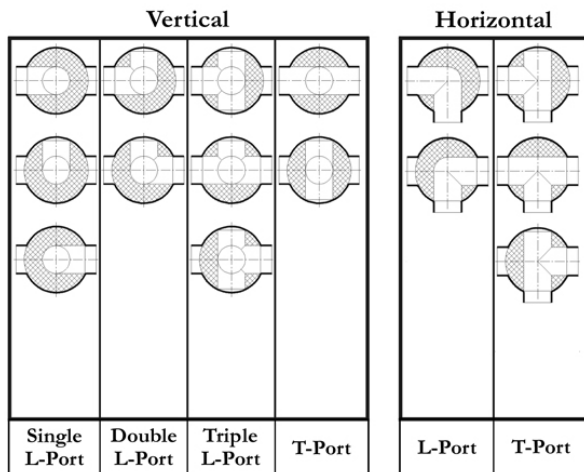


Horizontal Diverter Valve



Vertical 3-Way Valve

Ball Port Options



Ball port options viewed from top of valve

NOT FOR USE WITH COMPRESSED AIR OR GAS

Spears® Manufacturing Company

Progressive Products from Spears® Innovation and Technology

True Union 2000 Industrial 3-Way Ball Valves



PVC Horizontal Diverter Ball Valves

Material		EPDM				Viton®				Disc Code
Joint	Socket	SR Thread	Spigot	Flanged	Socket	SR Thread	Spigot	Flanged		
Size	Ball Port	Part # Price Each	Part # Price Each	Part # Price Each	Part # Price Each	Part # Price Each	Part # Price Each	Part # Price Each	Part # Price Each	
1/2	L-Port	5022L1-005 97.41	5021L1-005SR 100.56	5027L1-005 97.41	5023L1-005 198.96	5032L1-005 105.66	5031L1-005SR 110.43	5037L1-005 105.66	5033L1-005 207.85	615
	T-Port	5022T1-005 97.41	5021T1-005SR 100.56	5027T1-005 97.41	5023T1-005 198.96	5032T1-005 105.66	5031T1-005SR 110.43	5037T1-005 105.66	5033T1-005 207.85	615
3/4	L-Port	5022L1-007 116.18	5021L1-007SR 120.04	5027L1-007 116.18	5023L1-007 208.17	5032L1-007 125.05	5031L1-007SR 128.94	5037L1-007 125.05	5033L1-007 219.68	615
	T-Port	5022T1-007 116.18	5021T1-007SR 120.04	5027T1-007 116.18	5023T1-007 208.17	5032T1-007 125.05	5031T1-007SR 128.94	5037T1-007 125.05	5033T1-007 219.68	615
1	L-Port	5022L1-010 140.86	5021L1-010SR 144.65	5027L1-010 140.86	5023L1-010 296.70	5032L1-010 155.18	5031L1-010SR 159.03	5037L1-010 155.18	5033L1-010 324.35	615
	T-Port	5022T1-010 140.86	5021T1-010SR 144.65	5027T1-010 140.86	5023T1-010 296.70	5032T1-010 155.18	5031T1-010SR 159.03	5037T1-010 155.18	5033T1-010 324.35	615
1-1/4	L-Port	5022L1-012 163.27	5021L1-012SR 170.65	5027L1-012 163.27	5023L1-012 561.16	5032L1-012 183.65	5031L1-012SR 191.37	5037L1-012 183.65	5033L1-012 594.39	615
	T-Port	5022T1-012 163.27	5021T1-012SR 170.65	5027T1-012 163.27	5023T1-012 561.16	5032T1-012 183.65	5031T1-012SR 191.37	5037T1-012 183.65	5033T1-012 594.39	615
1-1/2	L-Port	5022L1-015 190.90	5021L1-015SR 203.24	5027L1-015 190.90	5023L1-015 578.10	5032L1-015 209.00	5031L1-015SR 221.33	5037L1-015 209.00	5033L1-015 604.60	615
	T-Port	5022T1-015 190.90	5021T1-015SR 203.24	5027T1-015 190.90	5023T1-015 578.10	5032T1-015 209.00	5031T1-015SR 221.33	5037T1-015 209.00	5033T1-015 604.60	615
2	L-Port	5022L1-020 234.18	5021L1-020SR 246.51	5027L1-020 234.18	5023L1-020 750.72	5032L1-020 273.02	5031L1-020SR 286.41	5037L1-020 273.02	5033L1-020 788.41	615
	T-Port	5022T1-020 234.18	5021T1-020SR 246.51	5027T1-020 234.18	5023T1-020 750.72	5032T1-020 273.02	5031T1-020SR 286.41	5037T1-020 273.02	5033T1-020 788.41	615
2-1/2	L-Port	5022L1-025 789.56	5021L1-025SR 824.12	5027L1-025 789.56	5023L1-025 1318.14	5032L1-025 839.60	5031L1-025SR 874.14	5037L1-025 839.60	5033L1-025 1544.72	615
	T-Port	5022T1-025 789.56	5021T1-025SR 824.12	5027T1-025 789.56	5023T1-025 1318.14	5032T1-025 839.60	5031T1-025SR 874.14	5037T1-025 839.60	5033T1-025 1544.72	615
3	L-Port	5022L1-030 805.69	5021L1-030SR 841.90	5027L1-030 805.69	5023L1-030 1335.43	5032L1-030 852.76	5031L1-030SR 887.30	5037L1-030 852.76	5033L1-030 1551.81	615
	T-Port	5022T1-030 805.69	5021T1-030SR 841.90	5027T1-030 805.69	5023T1-030 1335.43	5032T1-030 852.76	5031T1-030SR 887.30	5037T1-030 852.76	5033T1-030 1551.81	615
4	L-Port	5022L1-040 1459.17	5021L1-040SR 1498.68	5027L1-040 1459.17	5023L1-040 1940.18	5032L1-040 1475.63	5031L1-040SR 1515.13	5037L1-040 1475.63	5033L1-040 2120.71	615
	T-Port	5022T1-040 1459.17	5021T1-040SR 1498.68	5027T1-040 1459.17	5023T1-040 1940.18	5032T1-040 1475.63	5031T1-040SR 1515.13	5037T1-040 1475.63	5033T1-040 2120.71	615

CPVC Horizontal Diverter Ball Valves

Material		EPDM				Viton®				Disc Code
Joint	Socket	SR Thread	Spigot	Flanged	Socket	SR Thread	Spigot	Flanged		
Size	Ball Port	Part # Price Each	Part # Price Each	Part # Price Each	Part # Price Each	Part # Price Each	Part # Price Each	Part # Price Each	Part # Price Each	
1/2	L-Port	5022L1-005C 149.93	5021L1-005CSR 154.69	5027L1-005C 149.93	5023L1-005C 306.09	5032L1-005C 162.43	5031L1-005CSR 169.83	5037L1-005C 162.43	5033L1-005C 319.73	617
	T-Port	5022T1-005C 149.93	5021T1-005CSR 154.69	5027T1-005C 149.93	5023T1-005C 306.09	5032T1-005C 162.43	5031T1-005CSR 169.83	5037T1-005C 162.43	5033T1-005C 319.73	617
3/4	L-Port	5022L1-007C 178.71	5021L1-007CSR 184.65	5027L1-007C 178.71	5023L1-007C 320.24	5032L1-007C 192.37	5031L1-007CSR 198.29	5037L1-007C 192.37	5033L1-007C 338.01	617
	T-Port	5022T1-007C 178.71	5021T1-007CSR 184.65	5027T1-007C 178.71	5023T1-007C 320.24	5032T1-007C 192.37	5031T1-007CSR 198.29	5037T1-007C 192.37	5033T1-007C 338.01	617
1	L-Port	5022L1-010C 216.71	5021L1-010CSR 222.50	5027L1-010C 216.71	5023L1-010C 456.32	5032L1-010C 238.78	5031L1-010CSR 244.53	5037L1-010C 238.78	5033L1-010C 498.95	617
	T-Port	5022T1-010C 216.71	5021T1-010CSR 222.50	5027T1-010C 216.71	5023T1-010C 456.32	5032T1-010C 238.78	5031T1-010CSR 244.53	5037T1-010C 238.78	5033T1-010C 498.95	617
1-1/4	L-Port	5022L1-012C 251.13	5021L1-012CSR 262.48	5027L1-012C 251.13	5023L1-012C 863.30	5032L1-012C 281.56	5031L1-012CSR 294.40	5037L1-012C 281.56	5033L1-012C 914.49	617
	T-Port	5022T1-012C 251.13	5021T1-012CSR 262.48	5027T1-012C 251.13	5023T1-012C 863.30	5032T1-012C 281.56	5031T1-012CSR 294.40	5037T1-012C 281.56	5033T1-012C 914.49	617
1-1/2	L-Port	5022L1-015C 293.76	5021L1-015CSR 312.67	5027L1-015C 293.76	5023L1-015C 889.44	5032L1-015C 321.52	5031L1-015CSR 340.47	5037L1-015C 321.52	5033L1-015C 930.10	617

NOT FOR USE WITH COMPRESSED AIR OR GAS

Made in the U.S.A.

Progressive Products from Spears® Innovation and Technology



True Union 2000 Industrial 3-Way Ball Valves

CPVC Horizontal Diverter Ball Valves (continued)

Material		EPDM				Viton®				Disc Code
Joint	Socket	SR Thread	Spigot	Flanged	Socket	SR Thread	Spigot	Flanged		
Size	Ball Port	Part # Price Each	Part # Price Each	Part # Price Each	Part # Price Each	Part # Price Each	Part # Price Each	Part # Price Each	Part # Price Each	
1-1/2	T-Port	5022T1-015C 293.76	5021T1-015CSR 312.67	5027T1-015C 293.76	5023T1-015C 889.44	5032T1-015C 321.52	5031T1-015CSR 340.47	5037T1-015C 321.52	5033T1-015C 930.10	617
2	L-Port	5022L1-020C 360.38	5021L1-020CSR 379.24	5027L1-020C 360.38	5023L1-020C 1154.90	5032L1-020C 420.01	5031L1-020CSR 440.54	5037L1-020C 420.01	5033L1-020C 1212.98	617
	T-Port	5022T1-020C 360.38	5021T1-020CSR 379.24	5027T1-020C 360.38	5023T1-020C 1154.90	5032T1-020C 420.01	5031T1-020CSR 440.54	5037T1-020C 420.01	5033T1-020C 1212.98	617
2-1/2	L-Port	5022L1-025C 1214.79	5021L1-025CSR 1267.78	5027L1-025C 1214.79	5023L1-025C 2027.88	5032L1-025C 1291.65	5031L1-025CSR 1344.84	5037L1-025C 1291.65	5033L1-025C 2376.52	617
	T-Port	5022T1-025C 1214.79	5021T1-025CSR 1267.78	5027T1-025C 1214.79	5023T1-025C 2027.88	5032T1-025C 1291.65	5031T1-025CSR 1344.84	5037T1-025C 1291.65	5033T1-025C 2376.52	617
3	L-Port	5022L1-030C 1239.48	5021L1-030CSR 1295.26	5027L1-030C 1239.48	5023L1-030C 2055.21	5032L1-030C 1311.88	5031L1-030CSR 1365.06	5037L1-030C 1311.88	5033L1-030C 2387.47	617
	T-Port	5022T1-030C 1239.48	5021T1-030CSR 1295.26	5027T1-030C 1239.48	5023T1-030C 2055.21	5032T1-030C 1311.88	5031T1-030CSR 1365.06	5037T1-030C 1311.88	5033T1-030C 2387.47	617
4	L-Port	5022L1-040C 2244.79	5021L1-040CSR 2305.50	5027L1-040C 2244.79	5023L1-040C 2984.98	5032L1-040C 2270.14	5031L1-040CSR 2330.97	5037L1-040C 2270.14	5033L1-040C 3262.61	617
	T-Port	5022T1-040C 2244.79	5021T1-040CSR 2305.50	5027T1-040C 2244.79	5023T1-040C 2984.98	5032T1-040C 2270.14	5031T1-040CSR 2330.97	5037T1-040C 2270.14	5033T1-040C 3262.61	617

PVC Vertical 3-Way Ball Valves

Material		EPDM				Viton®				Disc Code
Joint	Socket	SR Thread	Spigot	Flanged	Socket	SR Thread	Spigot	Flanged		
Size	Ball Port	Part # Price Each	Part # Price Each	Part # Price Each	Part # Price Each	Part # Price Each	Part # Price Each	Part # Price Each	Part # Price Each	
1/2	L-Port	4722L1-005 96.93	4721L1-005SR 98.47	4727L1-005 96.93	4723L1-005 200.29	4732L1-005 104.98	4731L1-005SR 106.54	4737L1-005 104.98	4733L1-005 207.51	615
	Double L-Port	4722L2-005 193.04	4721L2-005SR 194.59	4727L2-005 193.04	4723L2-005 296.39	4732L2-005 201.10	4731L2-005SR 202.66	4737L2-005 201.10	4733L2-005 303.62	615
	Triple L-Port	4722L3-005 193.04	4721L3-005SR 194.59	4727L3-005 193.04	4723L3-005 296.39	4732L3-005 201.10	4731L3-005SR 202.66	4737L3-005 201.10	4733L3-005 303.62	615
	T-Port	4722T1-005 96.93	4721T1-005SR 98.47	4727T1-005 96.93	4723T1-005 200.29	4732T1-005 104.98	4731T1-005SR 106.54	4737T1-005 104.98	4733T1-005 207.51	615
	L-Port	4722L1-007 113.70	4721L1-007SR 117.59	4727L1-007 113.70	4723L1-007 210.31	4732L1-007 123.91	4731L1-007SR 127.77	4737L1-007 123.91	4733L1-007 219.20	615
3/4	Double L-Port	4722L2-007 209.82	4721L2-007SR 213.67	4727L2-007 209.82	4723L2-007 306.43	4732L2-007 220.02	4731L2-007SR 223.88	4737L2-007 220.02	4733L2-007 315.30	615
	Triple L-Port	4722L3-007 209.82	4721L3-007SR 213.67	4727L3-007 209.82	4723L3-007 306.43	4732L3-007 220.02	4731L3-007SR 223.88	4737L3-007 220.02	4733L3-007 315.30	615
	T-Port	4722T1-007 113.70	4721T1-007SR 117.59	4727T1-007 113.70	4723T1-007 210.31	4732T1-007 123.91	4731T1-007SR 127.77	4737T1-007 123.91	4733T1-007 219.20	615
	L-Port	4722L1-010 138.22	4721L1-010SR 142.10	4727L1-010 138.22	4723L1-010 299.99	4732L1-010 153.88	4731L1-010SR 157.73	4737L1-010 153.88	4733L1-010 324.68	615
1	Double L-Port	4722L2-010 234.36	4721L2-010SR 238.22	4727L2-010 234.36	4723L2-010 396.11	4732L2-010 249.96	4731L2-010SR 253.84	4737L2-010 249.96	4733L2-010 420.79	615
	Triple L-Port	4722L3-010 234.36	4721L3-010SR 238.22	4727L3-010 234.36	4723L3-010 396.11	4732L3-010 249.96	4731L3-010SR 253.84	4737L3-010 249.96	4733L3-010 420.79	615
	T-Port	4722T1-010 138.22	4721T1-010SR 142.10	4727T1-010 138.22	4723T1-010 299.99	4732T1-010 153.88	4731T1-010SR 157.73	4737T1-010 153.88	4733T1-010 324.68	615
	L-Port	4722L1-012 167.19	4721L1-012SR 174.94	4727L1-012 167.19	4723L1-012 565.44	4732L1-012 196.99	4731L1-012SR 204.72	4737L1-012 196.99	4733L1-012 598.01	615
1-1/4	Double L-Port	4722L2-012 263.31	4721L2-012SR 271.04	4727L2-012 263.31	4723L2-012 661.54	4732L2-012 293.10	4731L2-012SR 300.82	4737L2-012 293.10	4733L2-012 694.13	615
	Triple L-Port	4722L3-012 263.31	4721L3-012SR 271.04	4727L3-012 263.31	4723L3-012 661.54	4732L3-012 293.10	4731L3-012SR 300.82	4737L3-012 293.10	4733L3-012 694.13	615
	T-Port	4722T1-012 167.19	4721T1-012SR 174.94	4727T1-012 167.19	4723T1-012 565.44	4732T1-012 196.99	4731T1-012SR 204.72	4737T1-012 196.99	4733T1-012 598.01	615
	L-Port	4722L1-015 193.34	4721L1-015SR 205.71	4727L1-015 193.34	4723L1-015 586.51	4732L1-015 211.95	4731L1-015SR 224.30	4737L1-015 211.95	4733L1-015 604.60	615
1-1/2	Double L-Port	4722L2-015 289.47	4721L2-015SR 301.80	4727L2-015 289.47	4723L2-015 682.60	4732L2-015 308.05	4731L2-015SR 320.40	4737L2-015 308.05	4733L2-015 700.70	615

NOT FOR USE WITH COMPRESSED AIR OR GAS

True Union 2000 Industrial 3-Way Ball Valves



PVC Vertical 3-Way Ball Valves (continued)

Material		EPDM				Viton®				Disc Code
Joint	Socket	SR Thread	Spigot	Flanged	Socket	SR Thread	Spigot	Flanged		
Size	Ball Port	Part # Price Each	Part # Price Each	Part # Price Each	Part # Price Each	Part # Price Each	Part # Price Each	Part # Price Each	Part # Price Each	
1-1/2	Triple L-Port	4722L3-015 289.47	4721L3-015SR 301.80	4727L3-015 289.47	4723L3-015 682.60	4732L3-015 308.05	4731L3-015SR 320.40	4737L3-015 308.05	4733L3-015 700.70	615
	T-Port	4722T1-015 193.34	4721T1-015SR 205.71	4727T1-015 193.34	4723T1-015 586.51	4732T1-015 211.95	4731T1-015SR 224.30	4737T1-015 211.95	4733T1-015 604.60	615
2	L-Port	4722L1-020 237.13	4721L1-020SR 250.54	4727L1-020 237.13	4723L1-020 755.82	4732L1-020 275.32	4731L1-020SR 288.72	4737L1-020 275.32	4733L1-020 789.26	615
	Double L-Port	4722L2-020 333.22	4721L2-020SR 346.66	4727L2-020 333.22	4723L2-020 851.94	4732L2-020 371.43	4731L2-020SR 384.82	4737L2-020 371.43	4733L2-020 885.33	615
	Triple L-Port	4722L3-020 333.22	4721L3-020SR 346.66	4727L3-020 333.22	4723L3-020 851.94	4732L3-020 371.43	4731L3-020SR 384.82	4737L3-020 371.43	4733L3-020 885.33	615
	T-Port	4722T1-020 237.13	4721T1-020SR 250.54	4727T1-020 237.13	4723T1-020 755.82	4732T1-020 275.32	4731T1-020SR 288.72	4737T1-020 275.32	4733T1-020 789.26	615
2-1/2	L-Port	4722L1-025 834.01	4721L1-025SR 868.57	4727L1-025 834.01	4723L1-025 1323.90	4732L1-025 843.39	4731L1-025SR 877.96	4737L1-025 843.39	4733L1-025 1542.93	615
	Double L-Port	4722L2-025 930.10	4721L2-025SR 964.66	4727L2-025 930.10	4723L2-025 1420.01	4732L2-025 939.49	4731L2-025SR 974.04	4737L2-025 939.49	4733L2-025 1639.04	615
	Triple L-Port	4722L3-025 930.10	4721L3-025SR 964.66	4727L3-025 930.10	4723L3-025 1420.01	4732L3-025 939.49	4731L3-025SR 974.04	4737L3-025 939.49	4733L3-025 1639.04	615
	T-Port	4722T1-025 834.01	4721T1-025SR 868.57	4727T1-025 834.01	4723T1-025 1323.90	4732T1-025 843.39	4731T1-025SR 877.96	4737T1-025 843.39	4733T1-025 1542.93	615
3	L-Port	4722L1-030 851.11	4721L1-030SR 885.67	4727L1-030 851.11	4723L1-030 1342.16	4732L1-030 858.68	4731L1-030SR 893.24	4737L1-030 858.68	4733L1-030 1553.15	615
	Double L-Port	4722L2-030 947.22	4721L2-030SR 981.79	4727L2-030 947.22	4723L2-030 1438.28	4732L2-030 954.80	4731L2-030SR 989.34	4737L2-030 954.80	4733L2-030 1649.24	615
	Triple L-Port	4722L3-030 947.22	4721L3-030SR 981.79	4727L3-030 947.22	4723L3-030 1438.28	4732L3-030 954.80	4731L3-030SR 989.34	4737L3-030 954.80	4733L3-030 1649.24	615
	T-Port	4722T1-030 851.11	4721T1-030SR 885.67	4727T1-030 851.11	4723T1-030 1342.16	4732T1-030 858.68	4731T1-030SR 893.24	4737T1-030 858.68	4733T1-030 1553.15	615
4	L-Port	4722L1-040 1471.18	4721L1-040SR 1510.67	4727L1-040 1471.18	4723L1-040 1951.21	4732L1-040 1485.50	4731L1-040SR 1524.99	4737L1-040 1485.50	4733L1-040 2043.69	615
	Double L-Port	4722L2-040 1567.31	4721L2-040SR 1606.77	4727L2-040 1567.31	4723L2-040 2047.32	4732L2-040 1581.61	4731L2-040SR 1621.11	4737L2-040 1581.61	4733L2-040 2139.80	615
	Triple L-Port	4722L3-040 1567.31	4721L3-040SR 1606.77	4727L3-040 1567.31	4723L3-040 2047.32	4732L3-040 1581.61	4731L3-040SR 1621.11	4737L3-040 1581.61	4733L3-040 2139.80	615
	T-Port	4722T1-040 1471.18	4721T1-040SR 1510.67	4727T1-040 1471.18	4723T1-040 1951.21	4732T1-040 1485.50	4731T1-040SR 1524.99	4737T1-040 1485.50	4733T1-040 2043.69	615

CPVC Vertical 3-Way Ball Valves

Material		EPDM				Viton®				Disc Code
Joint	Socket	SR Thread	Spigot	Flanged	Socket	SR Thread	Spigot	Flanged		
Size	Ball Port	Part # Price Each	Part # Price Each	Part # Price Each	Part # Price Each	Part # Price Each	Part # Price Each	Part # Price Each	Part # Price Each	
1/2	L-Port	4722L1-005C 149.09	4721L1-005CSR 151.55	4727L1-005C 149.09	4723L1-005C 308.05	4732L1-005C 161.43	4731L1-005CSR 163.89	4737L1-005C 161.43	4733L1-005C 319.26	617
	Double L-Port	4722L2-005C 297.04	4721L2-005CSR 299.33	4727L2-005C 297.04	4723L2-005C 456.00	4732L2-005C 309.38	4731L2-005CSR 311.69	4737L2-005C 309.38	4733L2-005C 467.03	617
	Triple L-Port	4722L3-005C 297.04	4721L3-005CSR 299.33	4727L3-005C 297.04	4723L3-005C 456.00	4732L3-005C 309.38	4731L3-005CSR 311.69	4737L3-005C 309.38	4733L3-005C 467.03	617
	T-Port	4722T1-005C 149.09	4721T1-005CSR 151.55	4727T1-005C 149.09	4723T1-005C 308.05	4732T1-005C 161.43	4731T1-005CSR 163.89	4737T1-005C 161.43	4733T1-005C 319.26	617
3/4	L-Port	4722L1-007C 174.94	4721L1-007CSR 181.01	4727L1-007C 174.94	4723L1-007C 323.53	4732L1-007C 190.57	4731L1-007CSR 196.65	4737L1-007C 190.57	4733L1-007C 337.18	617
	Double L-Port	4722L2-007C 322.87	4721L2-007CSR 328.62	4727L2-007C 322.87	4723L2-007C 471.32	4732L2-007C 338.50	4731L2-007CSR 344.43	4737L2-007C 338.50	4733L2-007C 484.96	617
	Triple L-Port	4722L3-007C 322.87	4721L3-007CSR 328.62	4727L3-007C 322.87	4723L3-007C 471.32	4732L3-007C 338.50	4731L3-007CSR 344.43	4737L3-007C 338.50	4733L3-007C 484.96	617
	T-Port	4722T1-007C 174.94	4721T1-007CSR 181.01	4727T1-007C 174.50	4723T1-007C 323.53	4732T1-007C 190.57	4731T1-007CSR 196.65	4737T1-007C 190.57	4733T1-007C 337.18	617
1	L-Port	4722L1-010C 212.62	4721L1-010CSR 218.55	4727L1-010C 212.62	4723L1-010C 461.43	4732L1-010C 236.81	4731L1-010CSR 242.73	4737L1-010C 236.81	4733L1-010C 499.44	617

NOT FOR USE WITH COMPRESSED AIR OR GAS

Made in the U.S.A.

Page 10

Progressive Products from Spears® Innovation and Technology



True Union 2000 Industrial 3-Way Ball Valves

CPVC Vertical 3-Way Ball Valves (continued)

Material		EPDM				Viton®				Disc Code
Joint	Socket	SR Thread	Spigot	Flanged	Socket	SR Thread	Spigot	Flanged		
Size	Ball Port Part # Price Each	Part # Price Each	Part # Price Each	Part # Price Each	Part # Price Each	Part # Price Each	Part # Price Each	Part # Price Each	Part # Price Each	
1	Double L-Port	4722L2-010C 360.54	4721L2-010CSR 366.47	4727L2-010C 360.54	4723L2-010C 609.36	4732L2-010C 384.57	4731L2-010CSR 390.52	4737L2-010C 384.57	4733L2-010C 647.38	617
	Triple L-Port	4722L3-010C 360.54	4721L3-010CSR 366.47	4727L3-010C 360.54	4723L3-010C 609.36	4732L3-010C 384.57	4731L3-010CSR 390.52	4737L3-010C 384.57	4733L3-010C 647.38	617
	T-Port	4722T1-010C 212.62	4721T1-010CSR 218.55	4727T1-010C 212.62	4723T1-010C 461.43	4732T1-010C 236.81	4731T1-010CSR 242.73	4737T1-010C 236.81	4733T1-010C 499.44	617
1-1/4	L-Port	4722L1-012C 257.21	4721L1-012CSR 269.05	4727L1-012C 257.21	4723L1-012C 869.87	4732L1-012C 303.12	4731L1-012CSR 314.97	4737L1-012C 303.12	4733L1-012C 920.06	617
	Double L-Port	4722L2-012C 404.98	4721L2-012CSR 416.83	4727L2-012C 404.98	4723L2-012C 1017.66	4732L2-012C 450.89	4731L2-012CSR 463.57	4737L2-012C 450.89	4733L2-012C 694.13	617
	Triple L-Port	4722L3-012C 404.98	4721L3-012CSR 416.83	4727L3-012C 404.98	4723L3-012C 1017.66	4732L3-012C 450.89	4731L3-012CSR 463.57	4737L3-012C 450.89	4733L3-012C 1067.84	617
	T-Port	4722T1-012C 257.21	4721T1-012CSR 269.05	4727T1-012C 257.21	4723T1-012C 869.87	4732T1-012C 303.12	4731T1-012CSR 314.97	4737T1-012C 303.12	4733T1-012C 920.06	617
1-1/2	L-Port	4722L1-015C 297.35	4721L1-015CSR 316.45	4727L1-015C 297.35	4723L1-015C 902.31	4732L1-015C 325.99	4731L1-015CSR 345.07	4737L1-015C 325.99	4733L1-015C 930.10	617
	Double L-Port	4722L2-015C 445.32	4721L2-015CSR 464.22	4727L2-015C 445.32	4723L2-015C 1050.05	4732L2-015C 473.95	4731L2-015CSR 530.69	4737L2-015C 473.95	4733L2-015C 1078.04	617
	Triple L-Port	4722L3-015C 445.32	4721L3-015CSR 464.22	4727L3-015C 445.32	4723L3-015C 1050.05	4732L3-015C 473.95	4731L3-015CSR 530.69	4737L3-015C 473.95	4733L3-015C 1078.04	617
	T-Port	4722T1-015C 297.35	4721T1-015CSR 316.45	4727T1-015C 297.35	4723T1-015C 902.31	4732T1-015C 325.99	4731T1-015CSR 345.07	4737T1-015C 325.99	4733T1-015C 930.10	617
2	L-Port	4722L1-020C 364.84	4721L1-020CSR 385.39	4727L1-020C 364.84	4723L1-020C 1162.79	4732L1-020C 423.57	4731L1-020CSR 444.14	4737L1-020C 423.57	4733L1-020C 1214.14	617
	Double L-Port	4722L2-020C 512.63	4721L2-020CSR 533.34	4727L2-020C 512.63	4723L2-020C 1266.31	4732L2-020C 571.37	4731L2-020CSR 591.91	4737L2-020C 571.37	4733L2-020C 1362.07	617
	Triple L-Port	4722L3-020C 512.63	4721L3-020CSR 533.34	4727L3-020C 512.63	4723L3-020C 1266.31	4732L3-020C 571.37	4731L3-020CSR 591.91	4737L3-020C 571.37	4733L3-020C 1362.07	617
	T-Port	4722T1-020C 364.84	4721T1-020CSR 385.39	4727T1-020C 364.84	4723T1-020C 1162.79	4732T1-020C 423.57	4731T1-020CSR 444.14	4737T1-020C 423.57	4733T1-020C 1214.14	617
2-1/2	L-Port	4722L1-025C 1283.10	4721L1-025CSR 1336.23	4727L1-025C 1283.10	4723L1-025C 2036.60	4732L1-025C 1297.56	4731L1-025CSR 1350.72	4737L1-025C 1297.56	4733L1-025C 2373.81	617
	Double L-Port	4722L2-025C 1430.86	4721L2-025CSR 1466.88	4727L2-025C 1430.86	4723L2-025C 2184.56	4732L2-025C 1445.35	4731L2-025CSR 1498.51	4737L2-025C 1445.35	4733L2-025C 2521.59	617
	Triple L-Port	4722L3-025C 1430.86	4721L3-025CSR 1466.88	4727L3-025C 1430.86	4723L3-025C 2184.56	4732L3-025C 1445.35	4731L3-025CSR 1498.51	4737L3-025C 1445.35	4733L3-025C 2521.59	617
	T-Port	4722T1-025C 1283.10	4721T1-025CSR 1336.23	4727T1-025C 1283.10	4723T1-025C 2036.60	4732T1-025C 1297.56	4731T1-025CSR 1350.72	4737T1-025C 1297.56	4733T1-025C 2373.81	617
3	L-Port	4722L1-030C 1309.41	4721L1-030CSR 1362.57	4727L1-030C 1309.41	4723L1-030C 2064.94	4732L1-030C 1320.95	4731L1-030CSR 1374.27	4737L1-030C 1320.95	4733L1-030C 2389.44	617
	Double L-Port	4722L2-030C 1457.21	4721L2-030CSR 1493.23	4727L2-030C 1457.21	4723L2-030C 2212.69	4732L2-030C 1468.87	4731L2-030CSR 1522.04	4737L2-030C 1468.87	4733L2-030C 2537.21	617
	Triple L-Port	4722L3-030C 1457.21	4721L3-030CSR 1493.23	4727L3-030C 1457.21	4723L3-030C 2212.69	4732L3-030C 1468.87	4731L3-030CSR 1522.04	4737L3-030C 1468.87	4733L3-030C 2537.21	617
	T-Port	4722T1-030C 1309.41	4721T1-030CSR 1362.57	4727T1-030C 1309.41	4723T1-030C 2064.94	4732T1-030C 1320.95	4731T1-030CSR 1374.27	4737T1-030C 1320.95	4733T1-030C 2389.44	617
4	L-Port	4722L1-040C 2263.39	4721L1-040CSR 2324.11	4727L1-040C 2263.39	4723L1-040C 3031.56	4732L1-040C 2285.43	4731L1-040CSR 2346.16	4737L1-040C 2285.43	4733L1-040C 3144.12	617
	Double L-Port	4722L2-040C 2411.15	4721L2-040CSR 2471.88	4727L2-040C 2411.15	4723L2-040C 3149.70	4732L2-040C 2433.21	4731L2-040CSR 2493.94	4737L2-040C 2433.21	4733L2-040C 3291.89	617
	Triple L-Port	4722L3-040C 2411.15	4721L3-040CSR 2471.88	4727L3-040C 2411.15	4723L3-040C 3149.70	4732L3-040C 2433.21	4731L3-040CSR 2493.94	4737L3-040C 2433.21	4733L3-040C 3291.89	617
	T-Port	4722T1-040C 2263.39	4721T1-040CSR 2324.11	4727T1-040C 2263.39	4723T1-040C 3031.56	4732T1-040C 2285.43	4731T1-040CSR 2346.16	4737T1-040C 2285.43	4733T1-040C 3144.12	617

NOT FOR USE WITH COMPRESSED AIR OR GAS

Tee-Style "Zero Dead-Leg" Ball Valves



Valves are produced to order in Ball Valve sizes 1/2" - 2". Tee Valves can be custom produced in any standard Tee and Valve size combination.

Pressure Rating @ 73°F (23°C), Water
Valve Sizes 1/2" - 2" (20mm - 63mm) = 235 psi

Maximum Service Temperature

PVC = 140°F (60°C)
CPVC = 200°F (93°C)

Temperature/Pressure De-ratings Apply

Additional Notes

The Tee Valve is assembled with socket end connector. Tee Valves are a non-stock configuration. All orders are non-cancelable, non-returnable.

PVC

Size	EPDM	Viton®	Std Pk	Mstr Pk	Disc Code
Mainline Socket Tee x Valve Socket/Thread					
1/2	182901-005 155.03	183901-005 167.01	1	12	263
3/4	182901-007 169.43	183901-007 183.15	1	8	263
1	182901-010 172.62	183901-010 193.22	1	8	263
2	182901-020 286.10	183901-020 334.03	1	0	263
3/4X1/2	182901-101 157.61	183901-101 169.56	1	12	263
1X1/2	182901-130 162.79	183901-130 174.79	1	8	263
1X3/4	182901-131 172.62	183901-131 193.22	1	8	263
1-1/4X1/2	182901-166 171.52	183901-166 183.49	1	8	263
1-1/4X3/4	182901-167 175.81	183901-167 189.55	1	8	263
1-1/4X1	182901-168 187.83	183901-168 208.45	1	8	263
1-1/2X1/2	182901-209 171.52	183901-209 183.51	1	8	263
1-1/2X3/4	182901-210 175.81	183901-210 189.55	1	8	263
1-1/2X1	182901-211 187.83	183901-211 208.45	1	8	263
2X1/2	182901-247 221.81	183901-247 233.86	1	8	263
2X3/4	182901-248 228.37	183901-248 242.06	1	8	263
2X1	182901-249 238.11	183901-249 258.73	1	8	263
2X1-1/2	182901-251 293.79	183901-251 319.52	1	8	263
3X1/2	182901-333 226.32	183901-333 238.31	1	0	263
3X1	182901-335 242.50	183901-335 263.11	1	0	263
3X1-1/2	182901-337 278.22	183901-337 303.97	1	0	263
3X2	182901-338 302.52	183901-338 350.47	1	0	263
4X1	182901-417 280.31	183901-417 300.91	1	0	263
4X1-1/2	182901-419 316.05	183901-419 341.78	1	0	263
4X2	182901-420 372.73	183901-420 420.69	1	0	263
6X2	182901-528 438.20	183901-528 486.16	1	0	263
8X2	182901-578 668.62	183901-578 716.59	1	0	263

NOT FOR USE WITH COMPRESSED AIR OR GAS



Tee-Style "Zero Dead-Leg" Ball Valves

CPVC

Size	EPDM	Viton®	Std Pk	Mstr Pk	Disc Code
Mainline Socket Tee x Valve Socket/Thread					
1/2	182901-005C 238.90	183901-005C 250.18	1	12	264
3/4	182901-007C 261.06	183901-007C 273.98	1	8	264
1	182901-010C 265.99	183901-010C 285.39	1	8	264
2	182901-020C 290.62	183901-020C 335.69	1	4	264
3/4X1/2	182901-101C 242.85	183901-101C 254.11	1	12	264
1X1/2	182901-130C 220.24	183901-130C 263.22	1	8	264
1X3/4	182901-131C 265.99	183901-131C 278.93	1	8	264
1-1/4X1/2	182901-166C 269.51	183901-166C 280.80	1	8	264
1-1/4X3/4	182901-167C 270.93	183901-167C 283.84	1	8	264
1-1/4X1	182901-168C 310.54	183901-168C 329.93	1	8	264
1-1/2X1/2	182901-209C 302.72	183901-209C 313.39	1	8	264
1-1/2X3/4	182901-210C 311.49	183901-210C 319.15	1	8	264
1-1/2X1	182901-211C 322.24	183901-211C 329.93	1	8	264
2X1/2	182901-247C 345.70	183901-247C 356.96	1	8	264
2X3/4	182901-248C 373.01	183901-248C 385.93	1	8	264
2X1	182901-249C 392.56	183901-249C 411.95	1	8	264
2X1-1/2	182901-251C 460.94	183901-251C 485.11	1	8	264
3X1/2	182901-333C 455.07	183901-333C 466.34	1	0	264
3X1	182901-335C 476.55	183901-335C 495.94	1	0	264
3X1-1/2	182901-337C 542.96	183901-337C 567.14	1	0	264
3X2	182901-338C 595.70	183901-338C 640.77	1	0	264
4X1	182901-417C 585.93	183901-417C 605.32	1	0	264
4X1-1/2	182901-419C 652.32	183901-419C 676.52	1	0	264
4X2	182901-420C 777.32	183901-420C 822.39	1	0	264
6X2	182901-528C 1015.30	183901-528C 1060.36	1	0	264
8X2	182901-578C 1498.01	183901-578C 1543.09	1	0	264

PVC Metric

Size	EPDM	Viton®	Std Pk	Mstr Pk	Disc Code
Mainline Socket Tee x Valve Socket/Thread					
20	182901M-020 155.03	183901M-020 167.01	1	8	263
25	182901M-025 169.43	183901M-025 183.15	1	8	263
32	182901M-032 172.62	183901M-032 193.22	1	8	263
40	182901M-040 239.86	183901M-040 257.20	1	8	263
50	182901M-050 251.13	183901M-050 325.54	1	8	263
63	182901M-063 286.10	183901M-063 334.03	1	8	263

CPVC Metric

Size	EPDM	Viton®	Std Pk	Mstr Pk	Disc Code
Mainline Socket Tee x Valve Socket/Thread					
20	182901M-020C 238.90	183901M-020C 250.18	1	8	264
25	182901M-025C 277.72	183901M-025C 273.98	1	8	263
32	182901M-032C 265.99	183901M-032C 285.39	1	8	264
40	182901M-040C 269.68	183901M-040C 287.83	1	8	264
50	182901M-050C 274.48	183901M-050C 323.41	1	8	264
63	182901M-063C 290.62	183901M-063C 335.69	1	8	004

NOT FOR USE WITH COMPRESSED AIR OR GAS

True Union 2000 Standard Ball Valves



Socket Style

Pressure Rating @ 73°F (23°C), Water

- 1/2" - 2" 235 psi
- 2-1/2" - 4" 150 psi
- Flanged 150 psi

Maximum Service Temperature

- PVC = 140°F (60°C)
- CPVC = 200°F (93°C)

Temperature/Pressure De-ratings Apply

All Valves Assembled with Silicone-Free,
Water Soluble Lubricant

See Ball Valve Accessories & Repair Kits
Section for Additional Options and Features

PVC Standard

Size	EPDM	Viton®	Std Pk	Mstr Pk	Disc Code
------	------	--------	--------	---------	-----------

Threaded & Socket Ends

1/2	3629-005 37.78	3639-005 42.02	1	18	608
3/4	3629-007 44.68	3639-007 49.70	1	18	608
1	3629-010 53.22	3639-010 59.28	1	12	608
1-1/4	3629-012 73.61	3639-012 93.96	1	8	608
1-1/2	3629-015 88.68	3639-015 98.44	1	8	608
2	3629-020 117.02	3639-020 128.84	1	4	608

Socket Ends

2-1/2	3622-025 224.15	3632-025 304.76	1	0	609
3	3622-030 296.53	3632-030 329.47	1	0	609
4	3622-040 500.87	3632-040 556.71	1	0	609

Threaded Ends

2-1/2	3621-025 224.15	3631-025 304.76	1	0	609
3	3621-030 296.53	3631-030 329.47	1	0	609
4	3621-040 500.87	3631-040 556.71	1	0	609

SR Threaded Ends

1/2	3621-005SR 38.60	3631-005SR 42.83	1	18	608
3/4	3621-007SR 46.61	3631-007SR 51.67	1	18	608
1	3621-010SR 55.16	3631-010SR 61.22	1	18	608
1-1/4	3621-012SR 79.49	3631-012SR 99.83	1	12	608
1-1/2	3621-015SR 94.98	3631-015SR 104.73	1	8	608
2	3621-020SR 123.83	3631-020SR 135.67	1	8	608
2-1/2	3621-025SR 243.30	3631-025SR 323.13	1	0	609
3	3621-030SR 314.94	3631-030SR 347.86	1	0	609
4	3621-040SR 522.50	3631-040SR 578.17	1	0	609

Spigot Ends

1/2	3627-005 37.78	3637-005 42.02	1	18	608
3/4	3627-007 44.68	3637-007 49.70	1	18	608
1	3627-010 53.22	3637-010 59.28	1	12	608
1-1/4	3627-012 73.61	3637-012 93.96	1	12	608
1-1/2	3627-015 88.68	3637-015 98.44	1	8	608
2	3627-020 117.02	3637-020 128.84	1	8	608

NOT FOR USE WITH COMPRESSED AIR OR GAS



True Union 2000 Standard Ball Valves

PVC Standard (continued)

Size	EPDM	Viton®	Std Pk	Mstr Pk	Disc Code
------	------	--------	--------	---------	-----------

Spigot Ends

2-1/2	3627-025 224.90	3637-025 304.76	1	0	609
3	3627-030 296.53	3637-030 329.47	1	0	609
4	3627-040 500.87	3637-040 556.71	1	0	609

Flanged Ends

1/2	3623-005 54.03	3633-005 57.62	1	8	608
3/4	3623-007 68.45	3633-007 74.44	1	8	608
1	3623-010 82.82	3633-010 89.06	1	8	608
1-1/4	3623-012 97.23	3633-012 108.07	1	4	608
1-1/2	3623-015 122.48	3633-015 133.28	1	4	608
2	3623-020 195.02	3633-020 206.85	1	0	608
2-1/2	3623-025 360.18	3633-025 366.14	1	0	609
3	3623-030 373.23	3633-030 494.27	1	0	609
4	3623-040 800.44	3633-040 927.83	1	0	609

CPVC Standard

Size	EPDM	Viton®	Std Pk	Mstr Pk	Disc Code
------	------	--------	--------	---------	-----------

Threaded & Socket Ends

1/2	3629-005C 49.86	3639-005C 55.44	1	18	610
3/4	3629-007C 62.82	3639-007C 69.82	1	18	610
1	3629-010C 74.79	3639-010C 83.10	1	12	610
1-1/4	3629-012C 118.90	3639-012C 132.15	1	8	610
1-1/2	3629-015C 125.55	3639-015C 139.51	1	8	610
2	3629-020C 167.94	3639-020C 193.05	1	4	610

Socket Ends

2-1/2	3622-025C 376.49	3632-025C 418.30	1	0	611
3	3622-030C 440.22	3632-030C 489.16	1	0	611
4	3622-040C 797.68	3632-040C 886.31	1	0	611

Threaded Ends

2-1/2	3621-025C 376.49	3631-025C 418.30	1	0	611
3	3621-030C 440.22	3631-030C 489.16	1	0	611
4	3621-040C 797.68	3631-040C 886.31	1	0	611

CPVC Standard

Size	EPDM	Viton®	Std Pk	Mstr Pk	Disc Code
------	------	--------	--------	---------	-----------

SR Threaded Ends

1/2	3621-005CSR 50.67	3631-005CSR 56.23	1	18	610
3/4	3621-007CSR 64.80	3631-007CSR 71.78	1	18	610
1	3621-010CSR 76.73	3631-010CSR 85.01	1	18	610
1-1/4	3621-012CSR 124.77	3631-012CSR 138.00	1	12	610
1-1/2	3621-015CSR 131.26	3631-015CSR 145.80	1	8	610
2	3621-020CSR 174.74	3631-020CSR 199.87	1	8	610
2-1/2	3621-025CSR 394.87	3631-025CSR 436.69	1	0	611
3	3621-030CSR 458.59	3631-030CSR 507.54	1	0	611
4	3621-040CSR 819.15	3631-040CSR 908.47	1	0	611

Spigot Ends

1/2	3627-005C 49.86	3637-005C 55.44	1	18	610
3/4	3627-007C 62.82	3637-007C 69.82	1	18	610
1	3627-010C 74.79	3637-010C 83.10	1	12	610
1-1/4	3627-012C 118.90	3637-012C 132.15	1	12	610
1-1/2	3627-015C 125.55	3637-015C 139.51	1	8	610
2	3627-020C 167.94	3637-020C 193.05	1	8	610
2-1/2	3627-025C 376.49	3637-025C 418.30	1	0	611
3	3627-030C 440.22	3637-030C 489.16	1	0	611
4	3627-040C 797.68	3637-040C 886.31	1	0	611

Flanged Ends

1/2	3623-005C 84.63	3633-005C 86.46	1	8	610
3/4	3623-007C 103.73	3633-007C 108.11	1	8	610
1	3623-010C 118.76	3633-010C 126.07	1	8	610
1-1/4	3623-012C 177.45	3633-012C 183.67	1	4	610
1-1/2	3623-015C 195.20	3633-015C 201.69	1	4	610
2	3623-020C 271.61	3633-020C 323.47	1	0	610
2-1/2	3623-025C 506.94	3633-025C 608.49	1	0	611
3	3623-030C 695.02	3633-030C 758.27	1	0	611
4	3623-040C 1300.23	3633-040C 1352.23	1	0	611

NOT FOR USE WITH COMPRESSED AIR OR GAS

True Union 2000 Industrial Retrofit Ball Valves - Replaces Other Brand Valves



Industrial Valve

Complete universal replacement valve for domestic and import PVC or CPVC valve. See separate catalog listing for retrofit replacement of older Spears® valves.

Retrofit valve consists of Spears® Industrial True Union 2000 Ball Valve supplied with factory installed extended-socket end connectors. Simply cut out old valve to specified dimensions and install Retrofit Valve end connectors.

Pressure Rating @ 73°F (23°C), Water

1/2" - 4" 235 psi

All Valves Assembled with Silicone-Free, Water Soluble Lubricant

Suitable for Vacuum Service

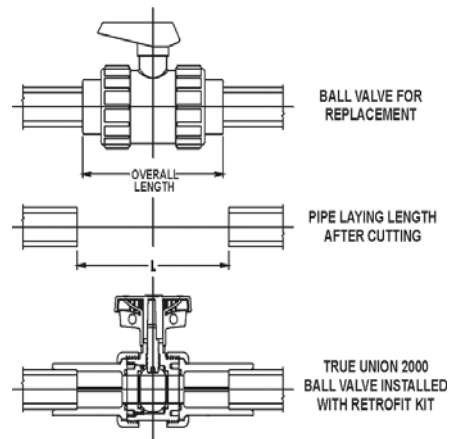
Retrofit End Connector Sets without valve are also available - See Ball Valve Accessories & Repair Kits

PVC - Socket Ends

Size	EPDM	Viton®	Std Pk	Mstr Pk	Disc Code
1/2	1822R-005 47.21	1832R-005 52.51	1	18	600
3/4	1822R-007 55.86	1832R-007 62.14	1	18	600
1	1822R-010 66.52	1832R-010 74.09	1	12	600
1-1/4	1822R-012 92.02	1832R-012 117.46	1	8	600
1-1/2	1822R-015 110.84	1832R-015 123.04	1	8	600
2	1822R-020 146.26	1832R-020 161.06	1	4	600
2-1/2	1822R-025 281.15	1832R-025 380.96	1	0	601
3	1822R-030 370.67	1832R-030 411.86	1	0	601
4	1822R-040 626.28	1832R-040 695.87	1	0	601

CPVC - Socket Ends

Size	EPDM	Viton®	Std Pk	Mstr Pk	Disc Code
1/2	1822R-005C 62.35	1832R-005C 69.28	1	18	602
3/4	1822R-007C 78.52	1832R-007C 87.27	1	18	602
1	1822R-010C 93.48	1832R-010C 103.86	1	12	602
1-1/4	1822R-012C 148.61	1832R-012C 165.17	1	8	602
1-1/2	1822R-015C 156.95	1832R-015C 174.39	1	8	602
2	1822R-020C 209.90	1832R-020C 241.30	1	4	602
2-1/2	1822R-025C 470.62	1832R-025C 522.88	1	0	603
3	1822R-030C 550.26	1832R-030C 611.45	1	0	603
4	1822R-040C 997.11	1832R-040C 1107.88	1	0	603



Size	1/2	3/4	1	1-1/4	1-1/2	2	2-1/2	3	4
L	4-29/32	5-7/16	6-3/32	7-1/4	7-1/2	8-17/32	10-3/4	11-7/16	14-15/16

NOT FOR USE WITH COMPRESSED AIR OR GAS

Made in the U.S.A.

Progressive Products from Spears® Innovation and Technology



True Union 2000 Industrial Retrofit Ball Valves - Replaces Spears® "Regular Style" Valves

PVC - Socket Ends

Size	EPDM	Viton®	Std Pk	Mstr Pk	Disc Code
1/2	1822RS-005 47.21	1832RS-005 52.51	1	18	600
3/4	1822RS-007 55.86	1832RS-007 62.14	1	18	600
1	1822RS-010 66.52	1832RS-010 74.09	1	12	600
1-1/4	1822RS-012 92.02	1832RS-012 117.46	1	8	600
1-1/2	1822RS-015 110.84	1832RS-015 123.04	1	8	600
2	1822RS-020 146.26	1832RS-020 161.06	1	4	600
2-1/2	1822RS-025 281.15	1832RS-025 380.96	1	0	601
3	1822RS-030 370.67	1832RS-030 411.86	1	0	601
4	1822RS-040 626.28	1832RS-040 695.87	1	0	601



CPVC - Socket Ends

Size	EPDM	Viton®	Std Pk	Mstr Pk	Disc Code
1/2	1822RS-005C 62.35	1832RS-005C 69.28	1	18	602
3/4	1822RS-007C 78.52	1832RS-007C 87.27	1	18	602
1	1822RS-010C 93.48	1832RS-010C 103.86	1	12	602
1-1/4	1822RS-012C 148.61	1832RS-012C 165.17	1	8	602
1-1/2	1822RS-015C 156.95	1832RS-015C 174.39	1	8	602
2	1822RS-020C 209.90	1832RS-020C 241.30	1	4	602
2-1/2	1822RS-025C 470.62	1832RS-025C 522.88	1	0	603
3	1822RS-030C 550.26	1832RS-030C 611.45	1	0	603
4	1822RS-040C 997.11	1832RS-040C 1107.88	1	0	603

Industrial Valve

Complete replacement valve for older Spears® 2300 Series Regular True Union Ball Valves. See separate catalog listing for replacement of other brand valves.

Retrofit valve consists of Spears® Industrial True Union 2000 Ball Valve supplied with factory installed extended-socket end connectors. Simply cut out old valve to specified dimensions and install Retrofit Valve end connectors.

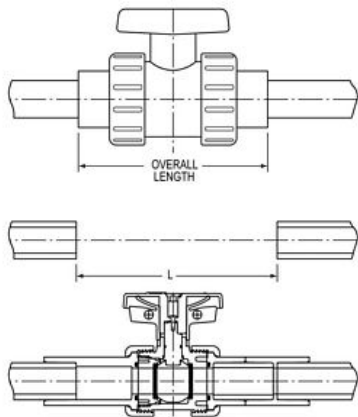
Pressure Rating @ 73°F (23°C), Water

1/2" - 4" 235 psi

All Valves Assembled with Silicone-Free, Water Soluble Lubricant

Suitable for Vacuum Service

Retrofit End Connector Sets without valve are also available - See Ball Valve Accessories & Repair Kits



Size	1/2	3/4	1	1-1/4	1-1/2	2	2-1/2	3	4
L	5-5/16	6-1/4	6-11/16	7-1/8	8-3/16	8-15/16	12	12-1/16	13-3/16

NOT FOR USE WITH COMPRESSED AIR OR GAS

Spears® Manufacturing Company

Progressive Products from Spears® Innovation and Technology

True Union 2000 Standard Retrofit Ball Valves - Replaces Other Brand Valves



Standard Valve

Complete universal replacement valve for domestic and import PVC or CPVC valve. See separate catalog listing for retrofit replacement of older Spears® valves.

Retrofit valve consists of Spears® Standard True Union 2000 Ball Valve supplied with factory installed extended-socket end connectors. Simply cut out old valve to specified dimensions and install Retrofit Valve end connectors.

Pressure Rating @ 73°F (23°C), Water

1/2" - 2" 235 psi
2-1/2" - 4" 150 psi

All Valves Assembled with Silicone-Free, Water Soluble Lubricant

Suitable for Vacuum Service

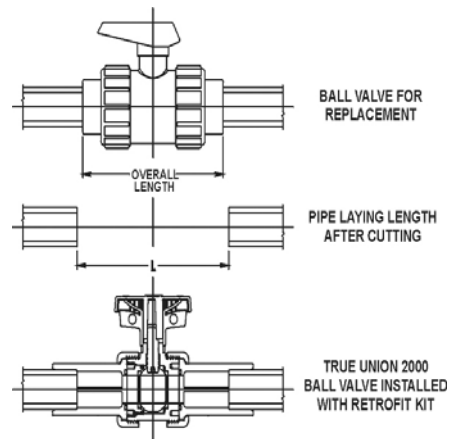
Retrofit End Connector Sets without valve are also available - See Ball Valve Accessories & Repair Kits

PVC - Socket Ends

Size	EPDM	Viton®	Std Pk	Mstr Pk	Disc Code
1/2	3622R-005 37.78	3632R-005 42.02	1	18	608
3/4	3622R-007 44.68	3632R-007 49.70	1	12	608
1	3622R-010 53.22	3632R-010 59.28	1	8	608
1-1/4	3622R-012 73.61	3632R-012 93.96	1	8	608
1-1/2	3622R-015 88.68	3632R-015 98.44	1	8	608
2	3622R-020 117.02	3632R-020 128.84	1	4	608
2-1/2	3622R-025 224.15	3632R-025 304.76	1	0	609
3	3622R-030 296.53	3632R-030 329.47	1	0	609
4	3622R-040 500.87	3632R-040 556.71	1	0	609

CPVC - Socket Ends

Size	EPDM	Viton®	Std Pk	Mstr Pk	Disc Code
1/2	3622R-005C 49.86	3632R-005C 55.44	1	18	610
3/4	3622R-007C 62.82	3632R-007C 69.82	1	12	610
1	3622R-010C 74.79	3632R-010C 83.10	1	8	610
1-1/4	3622R-012C 118.90	3632R-012C 132.15	1	8	610
1-1/2	3622R-015C 125.55	3632R-015C 139.51	1	8	610
2	3622R-020C 167.94	3632R-020C 193.05	1	4	610
2-1/2	3622R-025C 376.49	3632R-025C 418.30	1	0	611
3	3622R-030C 440.22	3632R-030C 489.16	1	0	611
4	3622R-040C 797.68	3632R-040C 886.31	1	0	611



Size	1/2	3/4	1	1-1/4	1-1/2	2	2-1/2	3	4
L	4-29/32	5-7/16	6-3/32	7-1/4	7-1/2	8-17/32	10-3/4	11-7/16	14-15/16

NOT FOR USE WITH COMPRESSED AIR OR GAS



True Union 2000 Standard Retrofit Ball Valves - Replaces Spears® "Regular Style" Valves

PVC - Socket Ends

Size	EPDM	Viton®	Std Pk	Mstr Pk	Disc Code
1/2	3622RS-005 37.78	3632RS-005 42.02	1	18	608
3/4	3622RS-007 44.68	3632RS-007 49.70	1	18	608
1	3622RS-010 53.22	3632RS-010 59.28	1	12	608
1-1/4	3622RS-012 73.61	3632RS-012 93.96	1	8	608
1-1/2	3622RS-015 88.68	3632RS-015 98.44	1	8	608
2	3622RS-020 117.02	3632RS-020 128.84	1	4	608
2-1/2	3622RS-025 224.15	3632RS-025 304.76	1	0	609
3	3622RS-030 296.53	3632RS-030 329.47	1	0	609
4	3622RS-040 500.87	3632RS-040 556.71	1	0	609



Standard Valve

Complete replacement valve for older Spears® 2300 Series Regular True Union Ball Valves. See separate catalog listing for replacement of other brand valves.

Retrofit valve consists of Spears® Standard True Union 2000 Ball Valve supplied with factory installed extended-socket end connectors. Simply cut out old valve to specified dimensions and install Retrofit Valve end connectors.

Pressure Rating @ 73°F (23°C), Water

1/2" - 2" 235 psi
2-1/2" - 4" 150 psi

All Valves Assembled with Silicone-Free, Water Soluble Lubricant

Suitable for Vacuum Service

Retrofit End Connector Sets without valve are also available - See Ball Valve Accessories & Repair Kits



Size	1/2	3/4	1	1-1/4	1-1/2	2	2-1/2	3	4
L	5-5/16	6-1/4	6-11/16	7-1/8	8-3/16	8-15/16	12	12-1/16	13-3/16

NOT FOR USE WITH COMPRESSED AIR OR GAS

Spears® Manufacturing Company

Progressive Products from Spears® Innovation and Technology

True Union Ball Valves (Regular Style)



Socket/Threaded Style



Flanged Style

6" Venturied Valves are 4" Ball Valves equipped with 4x6 End Connectors.

PVC

Size	EPDM	Viton®	Std Pk	Mstr Pk	Disc Code
------	------	--------	--------	---------	-----------

Threaded & Socket Ends

Size	EPDM	Viton®	Std Pk	Mstr Pk	Disc Code
1/2	2329-005 54.37	2339-005 60.50	1	18	230
3/4	2329-007 64.31	2339-007 71.57	1	12	230
1	2329-010 76.61	2339-010 85.33	1	8	230
1-1/4	2329-012 105.97	2339-012 135.26	1	8	230
1-1/2	2329-015 127.68	2339-015 141.70	1	8	230
2	2329-020 168.44	2339-020 185.49	1	4	230

Socket Ends

Size	EPDM	Viton®	Std Pk	Mstr Pk	Disc Code
2-1/2	2322-025 307.61	2332-025 416.81	1	0	230
3	2322-030 405.56	2332-030 450.63	1	0	230
4	2322-040 685.23	2332-040 761.35	1	0	230

Socket Venturied Ends

Size	EPDM	Viton®	Std Pk	Mstr Pk	Disc Code
6 VENTURIED	2322-060 914.24	2332-060 996.12	1	0	231

Threaded Ends

Size	EPDM	Viton®	Std Pk	Mstr Pk	Disc Code
2-1/2	2321-025 307.61	2331-025 416.81	1	0	230
3	2321-030 405.56	2331-030 450.63	1	0	230
4	2321-040 685.23	2331-040 761.35	1	0	230

Flanged Ends

Size	EPDM	Viton®	Std Pk	Mstr Pk	Disc Code
1/2	2323-005 77.78	2333-005 82.97	6	0	230
3/4	2323-007 98.53	2333-007 107.16	5	0	230
1	2323-010 119.27	2333-010 128.21	5	0	230
1-1/4	2323-012 140.00	2333-012 155.56	2	0	230
1-1/2	2323-015 176.32	2333-015 191.84	3	0	230
2	2323-020 280.78	2333-020 297.78	2	0	230
2-1/2	2323-025 492.60	2333-025 500.72	1	0	230
3	2323-030 544.45	2333-030 675.97	1	0	230
4	2323-040 1094.70	2333-040 1268.95	1	0	230

Flanged Venturied Ends

Size	EPDM	Viton®	Std Pk	Mstr Pk	Disc Code
6 VENTURIED	2323-060 1596.52	2333-060 1637.43	1	0	231



True Union Ball Valves (Regular Style)

CPVC

Size	EPDM	Viton®	Std Pk	Mstr Pk	Disc Code
------	------	--------	--------	---------	-----------

Threaded & Socket Ends

1/2	2329-005C 71.79	2339-005C 79.80	1	18	232
3/4	2329-007C 90.45	2339-007C 100.51	1	12	232
1	2329-010C 107.65	2339-010C 119.62	1	8	232
1-1/4	2329-012C 171.15	2339-012C 190.23	1	8	232
1-1/2	2329-015C 180.76	2339-015C 200.85	1	8	232
2	2329-020C 241.77	2339-020C 277.90	1	4	232

Socket Ends

2-1/2	2322-025C 514.91	2332-025C 572.10	1	0	232
3	2322-030C 602.06	2332-030C 668.98	1	0	232
4	2322-040C 1090.95	2332-040C 1212.17	1	0	232

Socket Venturied Ends

6 VENTURIED	2322-060C 1814.86	2332-060C 1883.05	1	0	233
-------------	----------------------	----------------------	---	---	-----

Threaded Ends

2-1/2	2321-025C 514.91	2331-025C 572.10	1	0	232
3	2321-030C 602.06	2331-030C 668.98	1	0	232
4	2321-040C 1090.95	2331-040C 1212.17	1	0	232

Flanged Ends

1/2	2323-005C 121.82	2333-005C 124.45	6	0	232
3/4	2323-007C 149.34	2333-007C 155.56	5	0	232
1	2323-010C 170.99	2333-010C 181.50	5	0	232
1-1/4	2323-012C 255.45	2333-012C 264.41	2	0	232
1-1/2	2323-015C 281.00	2333-015C 290.33	3	0	232
2	2323-020C 391.02	2333-020C 465.68	2	0	232
2-1/2	2323-025C 693.31	2333-025C 832.19	1	0	232
3	2323-030C 1013.93	2333-030C 1037.03	1	0	232
4	2323-040C 1778.24	2333-040C 1849.36	1	0	232

Flanged Venturied Ends

6 VENTURIED	2323-060C 2756.35	2333-060C 2851.87	1	0	233
-------------	----------------------	----------------------	---	---	-----

Pressure Rating @ 73°F (23°C), Water

1/2" - 2" 235 psi
 2-1/2" - 6" 150 psi
 Flanged 150 psi

Maximum Service Temperature

PVC = 140°F (60°C)
 CPVC = 200°F (93°C)

Temperature/Pressure De-ratings Apply
 Rated for Vacuum Service

All Valves assembled with Silicone-Free, Water Soluble Lubricant

Compact 2000 Ball Valves



Pressure Rating @ 73°F (23°C), Water

1/2" - 2" 235 psi

Maximum Service Temperature

PVC = 140°F (60°C)

CPVC = 200°F (93°C)

Temperature/Pressure De-ratings Apply

All Valves Assembled with Silicone-Free,
Water Soluble Lubricants

Rated for Vacuum Service

Compact 2000 Ball Valves are a
Maintenance-Free, Sealed Unit
(non-repairable)

See Ball Valve Accessories & Repair Kits
Section for Additional Options and Features

PVC 2000 Compact Ball Valve

Size	EPDM	Viton®	Std Pk	Mstr Pk	Disc Code
Socket Ends					
1/2	6622-005 20.11	6632-005 22.64	10	120	210
3/4	6622-007 27.44	6632-007 28.09	10	80	210
1	6622-010 29.95	6632-010 33.59	10	0	210
1-1/4	6622-012 45.06	6632-012 52.07	6	0	210
1-1/2	6622-015 53.67	6632-015 59.69	5	0	210
2	6622-020 71.65	6632-020 80.50	8	0	210

Threaded Ends

1/2	6621-005 20.11	6631-005 22.64	10	120	210
3/4	6621-007 27.44	6631-007 28.09	10	80	210
1	6621-010 29.95	6631-010 33.59	10	0	210
1-1/4	6621-012 49.32	6631-012 52.07	6	0	210
1-1/2	6621-015 53.67	6631-015 59.69	5	0	210
2	6621-020 71.65	6631-020 80.50	8	0	210

CPVC 2000 Compact Ball Valve

Size	EPDM	Viton®	Std Pk	Mstr Pk	Disc Code
Socket Ends					
1/2	6622-005C 23.68	6632-005C 26.35	10	120	212
3/4	6622-007C 31.24	6632-007C 35.10	10	80	212
1	6622-010C 39.04	6632-010C 43.90	10	0	212
1-1/4	6622-012C 63.89	6632-012C 78.96	6	0	212
1-1/2	6622-015C 79.02	6632-015C 87.80	5	0	212
2	6622-020C 103.52	6632-020C 116.31	8	0	212

Threaded Ends

1/2	6621-005C 23.68	6631-005C 26.35	10	120	212
3/4	6621-007C 31.24	6631-007C 35.10	10	80	212
1	6621-010C 39.04	6631-010C 43.90	10	0	212
1-1/4	6621-012C 63.89	6631-012C 78.96	6	0	212
1-1/2	6621-015C 79.02	6631-015C 87.80	5	0	212
2	6621-020C 103.52	6631-020C 116.31	8	0	212

NOT FOR USE WITH COMPRESSED AIR OR GAS

Made in the U.S.A.

Progressive Products from Spears® Innovation and Technology

Page 22



Compact Ball Valves (Regular Style)

PVC

Size	EPDM	Viton®	Std Pk	Mstr Pk	Disc Code
------	------	--------	--------	---------	-----------

Socket Ends

1/2	2122-005 21.16	2132-005 23.83	10	80	210
3/4	2122-007 28.88	2132-007 29.57	10	0	210
1	2122-010 31.51	2132-010 35.38	10	0	210
1-1/4	2122-012 56.51	2132-012 62.82	6	0	210
1-1/2	2122-015 69.97	2132-015 73.11	5	0	210
2	2122-020 75.41	2132-020 84.74	6	0	210
3	2122-030 245.11	2132-030 275.37	1	4	211
4	2122-040 377.10	2132-040 542.81	1	0	211
6 (Lever Handle)	2122-060 489.73	2132-060 704.95	1	0	211
6 (Tee Handle)	21226-060 489.73	21326-060 704.95	1	0	211

Threaded Ends

1/2	2121-005 21.16	2131-005 23.83	10	80	210
3/4	2121-007 28.88	2131-007 29.57	10	0	210
1	2121-010 31.51	2131-010 35.38	10	0	210
1-1/4	2121-012 56.51	2131-012 62.82	6	0	210
1-1/2	2121-015 69.97	2131-015 73.11	5	0	210
2	2121-020 75.41	2131-020 84.74	6	0	210
3	2121-030 245.11	2131-030 275.37	1	4	211
4	2121-040 377.10	2131-040 542.81	1	0	211

Flanged Ends

1/2	2123-005 46.78	2133-005 49.83	1	8	210
3/4	2123-007 56.60	2133-007 58.85	1	8	210
1	2123-010 62.44	2133-010 66.29	1	8	210
1-1/4	2123-012 88.40	2133-012 94.71	1	8	210
1-1/2	2123-015 102.28	2133-015 107.09	1	4	210
2	2123-020 118.72	2133-020 127.96	1	0	210
3	2123-030 318.94	2133-030 349.21	1	0	211
4	2123-040 470.46	2133-040 636.16	1	0	211
6 (Lever Handle)	2123-060 905.83	2133-060 997.09	1	0	211
6 (Tee Handle)	21236-060 905.83	21336-060 997.09	1	0	211



Socket/Threaded Style

Pressure Rating @ 73°F (23°C), Water

1/2" - 2"	235 psi
3" - 6"	150 psi
Flanged	150 psi

Maximum Service Temperature

PVC	= 140°F (60°C)
CPVC	= 200°F (93°C)

Temperature/Pressure De-ratings Apply

Rated for Vacuum Service

All Valves Assembled with Silicone-Free, Water Soluble Lubricants

See Ball Valve Accessories & Repair Kits Section for Additional Options & Features

Note: Standard 6" Valve uses Lever-Style Handle for proper leverage. T-Handle option is more compact but will increase difficulty of operation.

NOT FOR USE WITH COMPRESSED AIR OR GAS

Compact Ball Valves (Regular Style)



All Valves Assembled with Silicone-Free,
Water Soluble Lubricants

See Ball Valve Accessories & Repair Kits
Section for Additional Options & Features

Note: Standard 6" Valve uses Lever-Style Handle
for proper leverage. T-Handle option is more
compact but will increase difficulty of operation.

CPVC

Size	EPDM	Viton®	Std Pk	Mstr Pk	Disc Code
------	------	--------	-----------	------------	--------------

Socket Ends

1/2	2122-005C 24.93	2132-005C 27.72	10	80	212
3/4	2122-007C 32.88	2132-007C 36.96	10	0	212
1	2122-010C 41.11	2132-010C 46.21	10	0	212
1-1/4	2122-012C 83.18	2132-012C 92.39	6	0	212
1-1/2	2122-015C 102.77	2132-015C 108.04	5	0	212
2	2122-020C 108.98	2132-020C 122.45	6	0	212
3	2122-030C 331.59	2132-030C 369.84	1	4	213
4	2122-040C 612.98	2132-040C 688.69	1	0	213
6 (Lever Handle)	2122-060C 1001.78	2132-060C 1067.44	1	0	213
6 (Tee Handle)	21226-060C 1001.78	21326-060C 1067.44	1	0	213

Threaded Ends

1/2	2121-005C 24.93	2131-005C 27.72	10	80	212
3/4	2121-007C 32.88	2131-007C 36.96	10	0	212
1	2121-010C 41.11	2131-010C 46.21	10	0	212
1-1/4	2121-012C 83.18	2131-012C 92.39	6	0	212
1-1/2	2121-015C 102.77	2131-015C 108.04	5	0	212
2	2121-020C 108.98	2131-020C 122.45	6	0	212
3	2121-030C 331.59	2131-030C 369.84	1	4	213
4	2121-040C 612.98	2131-040C 688.69	1	0	213

Flanged Ends

1/2	2123-005C 69.49	2133-005C 72.30	1	8	212
3/4	2123-007C 80.68	2133-007C 84.76	1	8	212
1	2123-010C 95.40	2133-010C 100.52	1	8	212
1-1/4	2123-012C 150.33	2133-012C 159.56	1	8	212
1-1/2	2123-015C 188.00	2133-015C 193.81	1	4	212
2	2123-020C 212.90	2133-020C 226.37	1	0	212
3	2123-030C 509.85	2133-030C 548.10	1	0	213
4	2123-040C 796.45	2133-040C 872.15	1	0	213
6 (Lever Handle)	2123-060C 1512.80	2133-060C 1622.91	1	0	213
6 (Tee Handle)	21236-060C 1512.80	21336-060C 1622.91	1	0	213

NOT FOR USE WITH COMPRESSED AIR OR GAS

Made in the U.S.A.

Progressive Products from Spears® Innovation and Technology

Page 24



Single Entry Ball Valves

PVC White

Size	Buna-N	EPDM	Viton®	Std Pk	Mstr Pk	Disc Code
------	--------	------	--------	--------	---------	-----------

Threaded Ends

1/2	2411-005W 18.07	2421-005W 20.04	2431-005W 22.29	10	120	240
3/4	2411-007W 24.46	2421-007W 25.22	2431-007W 28.03	10	80	240
1	2411-010W 26.70	2421-010W 29.66	2431-010W 32.98	10	0	240
1-1/4	2411-012W 37.13	2421-012W 41.29	2431-012W 45.87	6	0	240
1-1/2	2411-015W 48.13	2421-015W 55.88	2431-015W 60.59	5	0	240
2	2411-020W 54.18	2421-020W 60.14	2431-020W 66.85	5	0	240
3	2411-030W 197.05	2421-030W 244.45	2431-030W 281.85	1	0	240
4	2411-040W 416.55	2421-040W 458.93	2431-040W 498.88	1	0	240

Socket Ends

1/2	2412-005W 18.07	2422-005W 20.04	2432-005W 22.29	10	120	240
3/4	2412-007W 24.46	2422-007W 25.22	2432-007W 28.03	10	80	240
1	2412-010W 26.70	2422-010W 29.66	2432-010W 32.98	10	0	240
1-1/4	2412-012W 37.13	2422-012W 41.29	2432-012W 45.87	6	0	240
1-1/2	2412-015W 48.13	2422-015W 55.88	2432-015W 60.60	5	0	240
2	2412-020W 54.18	2422-020W 60.14	2432-020W 66.85	5	0	240
3	2412-030W 197.05	2422-030W 244.45	2432-030W 281.85	1	0	240
4	2412-040W 416.55	2422-040W 458.93	2432-040W 498.88	1	0	240



PVC White – Socket/Threaded Style

Pressure Rating @ 73°F (23°C), Water

1/2" - 2" 235 psi
3" - 4" 150 psi

Maximum Service Temperature

PVC = 140°F (60°C)

Temperature/Pressure De-ratings Apply

Rated for Vacuum Service

All Valves Assembled with Silicone-Free,
Water Soluble Lubricant

See Ball Valve Accessories & Repair Kits
Section for Additional Options and Features

NOT FOR USE WITH COMPRESSED AIR OR GAS

Single Entry Ball Valves



PVC Gray – Socket/Threaded Style

Pressure Rating @ 73°F (23°C), Water

1/2" - 2" 235 psi
3" - 4" 150 psi

Maximum Service Temperature

PVC = 140°F (60°C)

Temperature/Pressure De-ratings Apply

Rated for Vacuum Service

All Valves Assembled with Silicone-Free,
Water Soluble Lubricant

See Ball Valve Accessories & Repair Kits
Section for Additional Options and Features

PVC Gray

Size	Buna-N	EPDM	Viton®	Std Pk	Mstr Pk	Disc Code
------	--------	------	--------	--------	---------	-----------

Threaded Ends

Size	Buna-N	EPDM	Viton®	Std Pk	Mstr Pk	Disc Code
1/2	2411-005G 19.84	2421-005G 21.99	2431-005G 24.46	10	120	240
3/4	2411-007G 24.99	2421-007G 27.80	2431-007G 30.87	10	80	240
1	2411-010G 29.40	2421-010G 32.63	2431-010G 36.27	10	0	240
1-1/4	2411-012G 40.83	2421-012G 45.39	2431-012G 50.37	5	0	240
1-1/2	2411-015G 51.40	2421-015G 60.21	2431-015G 66.96	5	0	240
2	2411-020G 59.52	2421-020G 66.14	2431-020G 73.45	5	0	240
3	2411-030G 207.45	2421-030G 257.29	2431-030G 296.69	1	0	240
4	2411-040G 438.45	2421-040G 483.10	2431-040G 525.12	1	0	240

Socket Ends

Size	Buna-N	EPDM	Viton®	Std Pk	Mstr Pk	Disc Code
1/2	2412-005G 19.84	2422-005G 21.99	2432-005G 24.46	10	120	240
3/4	2412-007G 24.99	2422-007G 27.80	2432-007G 30.87	10	80	240
1	2412-010G 29.40	2422-010G 32.63	2432-010G 36.27	10	0	240
1-1/4	2412-012G 40.83	2422-012G 45.39	2432-012G 50.37	5	0	240
1-1/2	2412-015G 51.46	2422-015G 60.21	2432-015G 66.96	5	0	240
2	2412-020G 59.52	2422-020G 66.14	2432-020G 73.45	5	0	240
3	2412-030G 207.45	2422-030G 257.29	2432-030G 296.69	1	0	240
4	2412-040G 438.45	2422-040G 483.10	2432-040G 525.12	1	0	240

NOT FOR USE WITH COMPRESSED AIR OR GAS

Made in the U.S.A.

Progressive Products from Spears® Innovation and Technology

Page 26



Utility Ball Valves

PVC & CPVC w/EPDM O-ring Seal

Size	Threaded Ends	Socket Ends	Std Pk	Mstr Pk	Disc Code
------	---------------	-------------	--------	---------	-----------

PVC White

1/2	2621-005 8.90	2622-005 8.90	50	0	215
3/4	2621-007 10.56	2622-007 10.56	25	0	215
1	2621-010 14.36	2622-010 14.36	25	0	215
1-1/4	2621-012 19.03	2622-012 19.03	20	0	215
1-1/2	2621-015 29.04	2622-015 29.04	20	0	215
2	2621-020 36.71	2622-020 36.71	8	0	215
2-1/2	2621-025 62.83	2622-025 62.83	6	0	214
3	2621-030 112.69	2622-030 112.69	1	4	214
4	2621-040 206.54	2622-040 206.54	1	0	214
6 (Lever Handle)	---	2622-060 333.22	1	0	214

PVC Gray

1/2	2621-005G 8.90	2622-005G 8.90	50	0	215
3/4	2621-007G 10.56	2622-007G 10.56	25	0	215
1	2621-010G 14.36	2622-010G 14.36	25	0	215
1-1/4	2621-012G 19.03	2622-012G 19.03	20	0	215
1-1/2	2621-015G 29.04	2622-015G 29.04	20	0	215
2	2621-020G 36.71	2622-020G 36.71	8	0	215
2-1/2	2621-025G 62.83	2622-025G 62.83	6	0	214
3	2621-030G 112.69	2622-030G 112.69	1	4	214
4	2621-040G 206.54	2622-040G 206.54	1	0	214

CPVC

1/2	2621-005C 11.73	2622-005C 11.73	50	0	216
3/4	2621-007C 14.91	2622-007C 14.91	25	0	216
1	2621-010C 16.20	2622-010C 16.20	25	0	216
1-1/4	2621-012C 22.83	2622-012C 22.83	20	0	216
1-1/2	2621-015C 35.40	2622-015C 35.40	20	0	216
2	2621-020C 44.03	2622-020C 44.03	8	0	216



Pressure Rating @ 73°F (23°C), Water

1/2" - 6" 150 psi

Maximum Service Temperature

PVC = 140°F (60°C)

CPVC = 200°F (93°C)

Temperature/Pressure De-ratings Apply

All Valves Assembled with Silicone-Free,
Water Soluble Lubricant

See Ball Valve Accessories & Repair Kits
Section for Additional Options and Features

Note: Standard 6" Valve uses Lever-Style Handle
for proper leverage.

NOT FOR USE WITH COMPRESSED AIR OR GAS

Spears® Manufacturing Company

Lab Ball Valves



Socket/Threaded Valve Only



Valve & Adapters

Pressure Rating @ 73°F (23°C), Water

1/4" - 3/8" 150 psi

Maximum Service
Temperature

PVC = 140°F (60°C)
CPVC = 200°F (93°C)

Temperature/Pressure De-ratings Apply

Rated for Vacuum Service

All Valves Assembled with Silicone-Free, Water Soluble Lubricant

See Ball Valve Accessories & Repair Kits Section for Additional Options and Features

NOT FOR USE WITH COMPRESSED AIR OR GAS

Made in the U.S.A.

Progressive Products from Spears® Innovation and Technology

PVC

Size	EPDM	Viton®	Std Pk	Mstr Pk	Disc Code
------	------	--------	--------	---------	-----------

Valve & Adapters Threaded Ends

1/4 x 3/8T	1529-002 24.46	1539-002 25.57	25	200	218
1/4 x 1/4T	1529-002A 24.46	1539-002A 25.57	25	200	218

Valve only Threaded Ends

1/4	1521-002 19.55	1531-002 21.76	50	200	218
3/8	1521-003 27.48	1531-003 30.47	50	200	218

Valve only Socket Ends

1/4	1522-002 19.55	1532-002 22.12	50	200	218
3/8	1522-003 27.48	1532-003 30.47	50	200	218

CPVC

Size	EPDM	Viton®	Std Pk	Mstr Pk	Disc Code
------	------	--------	--------	---------	-----------

Valve & Adapters Threaded Ends

1/4 x 3/8T	1529-002C 29.36	1539-002C 29.93	25	200	219
1/4 x 1/4T	1529-002CA 29.36	1539-002CA 29.93	25	200	219

Valve only Threaded Ends

1/4	1521-002C 23.51	1531-002C 25.85	50	200	219
3/8	1521-003C 32.97	1531-003C 30.90	50	200	219

Valve only Socket Ends

1/4	1522-002C 23.51	1532-002C 27.98	50	200	219
3/8	1522-003C 32.97	1532-003C 36.60	50	200	219

Valve & Adapters includes:

1-Threaded 1/4" Valve

2-O-ring Sealed 1/4" MPT x Mipt Adapters

2-EPDM or Viton® O-rings (AS568-013 size)

1-End Connector Wrench

2-O-ring Sealed 1/4" MPT x 3/8" I.D. Tubing
Barb Adapters

- OR -

2-O-ring Sealed 1/4" MPT x 1/4" I.D. Tubing
Barb Adapters



Ball Valve Accessories & Repair Kits

True Union Retrofit Kits - Other Brand Valves (Socket Style Only) PVC

Size	EPDM	Viton®	Std Pk	Mstr Pk	Disc Code
1/2	RFK2-005 9.65	RFK3-005 12.57	1	25	299
3/4	RFK2-007 12.56	RFK3-007 14.35	1	25	299
1	RFK2-010 14.22	RFK3-010 16.61	1	25	299
1-1/4	RFK2-012 16.71	RFK3-012 23.73	1	10	299
1-1/2	RFK2-015 20.96	RFK3-015 27.36	1	10	299
2	RFK2-020 30.19	RFK3-020 37.73	1	10	299
2-1/2	RFK2-025 55.55	RFK3-025 75.60	1	5	299
3	RFK2-030 73.89	RFK3-030 92.34	1	5	299
4	RFK2-040 109.05	RFK3-040 156.06	1	4	299

True Union Retrofit Kits - Other Brand Valves (Socket Style Only) CPVC

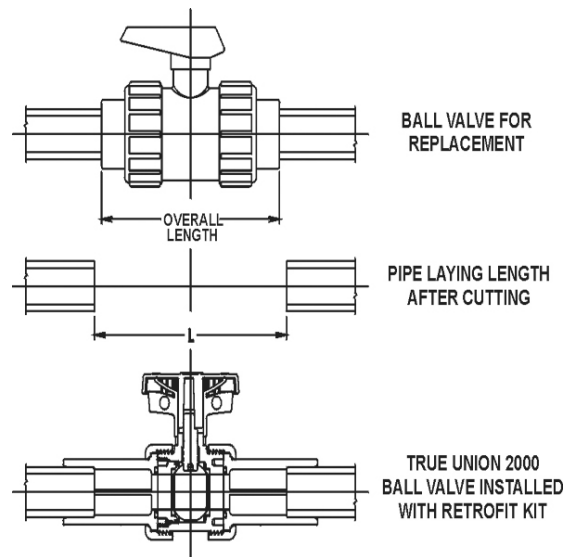
Size	EPDM	Viton®	Std Pk	Mstr Pk	Disc Code
1/2	RFK2-005C 14.01	RFK3-005C 15.18	1	25	299
3/4	RFK2-007C 15.77	RFK3-007C 19.14	1	25	299
1	RFK2-010C 18.02	RFK3-010C 21.97	1	25	299
1-1/4	RFK2-012C 23.47	RFK3-012C 30.49	1	10	299
1-1/2	RFK2-015C 28.65	RFK3-015C 36.64	1	10	299
2	RFK2-020C 38.90	RFK3-020C 46.45	1	10	299
2-1/2	RFK2-025C 82.17	RFK3-025C 98.13	1	5	299
3	RFK2-030C 110.12	RFK3-030C 133.47	1	5	299
4	RFK2-040C 157.46	RFK3-040C 208.02	1	4	299

Retrofit End Connector Sets (Socket Style Only)

Special extended Socket end connectors allow in-line replacement of other brand valves with Spears® True Union 2000 Ball Valves, 3-Way Ball Valves, and True Union 2000 Ball Check Valves.

Kit includes 2 Extended End Connectors with O-rings

Retrofit Kit For Other Brand Valves



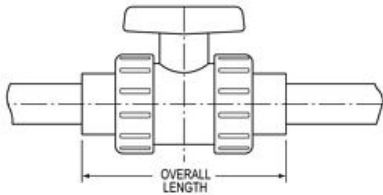
Size	1/2	3/4	1	1-1/4	1-1/2	2	2-1/2	3	4
L	4-29/32	5-7/16	6-3/32	7-1/4	7-1/2	8-17/32	10-3/4	11-7/16	14-15/16

NOT FOR USE WITH COMPRESSED AIR OR GAS

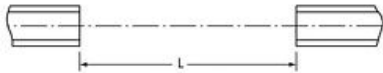
Ball Valve Accessories & Repair Kits



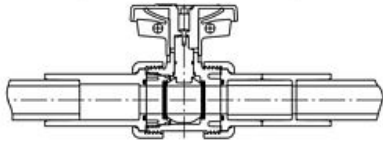
Retrofit Kit For Older "Regular Style" Spears® Valves



BALL VALVE FOR REPLACEMENT



PIPE LAYING LENGTH AFTER CUTTING



TRUE UNION BALL VALVE INSTALLED WITH RETROFIT KIT

Size	1/2	3/4	1	1-1/4	1-1/2	2	2-1/2	3	4
L	5-5/16	6-1/4	6-11/16	7-1/8	8-3/16	8-15/16	12	12-1/16	13-3/16

True Union Retrofit Kits - Older "Regular Style" Spears® Valves (Socket Style Only) PVC

Size	EPDM	Viton®	Std Pk	Mstr Pk	Disc Code
1/2	RFKS2-005 9.65	RFKS3-005 12.57	1	10	299
3/4	RFKS2-007 12.56	RFKS3-007 14.35	1	10	299
1	RFKS2-010 14.22	RFKS3-010 16.61	1	10	299
1-1/4	RFKS2-012 16.71	RFKS3-012 23.73	1	10	299
1-1/2	RFKS2-015 20.96	RFKS3-015 27.36	1	10	299
2	RFKS2-020 30.19	RFKS3-020 37.73	1	5	299
2-1/2	RFKS2-025 55.55	RFKS3-025 75.60	1	5	299
3	RFKS2-030 73.89	RFKS3-030 92.34	1	5	299
4	RFKS2-040 109.05	RFKS3-040 156.06	1	2	299

True Union Retrofit Kits - Older "Regular Style" Spears® Valves (Socket Style Only) CPVC

Size	EPDM	Viton®	Std Pk	Mstr Pk	Disc Code
1/2	RFKS2-005C 14.01	RFKS3-005C 15.18	1	10	299
3/4	RFKS2-007C 15.77	RFKS3-007C 19.14	1	10	299
1	RFKS2-010C 18.02	RFKS3-010C 21.97	1	10	299
1-1/4	RFKS2-012C 23.47	RFKS3-012C 30.49	1	10	299
1-1/2	RFKS2-015C 28.65	RFKS3-015C 36.64	1	10	299
2	RFKS2-020C 38.90	RFKS3-020C 46.45	1	5	299
2-1/2	RFKS2-025C 82.17	RFKS3-025C 98.13	1	5	299
3	RFKS2-030C 110.12	RFKS3-030C 133.47	1	5	299
4	RFKS2-040C 157.46	RFKS3-040C 208.02	1	2	299

NOT FOR USE WITH COMPRESSED AIR OR GAS



Ball Valve Accessories & Repair Kits

PVC - Supplemental End Connector Sets

Size	EPDM	Viton®	Std Pk	Mstr Pk	Disc Code
------	------	--------	--------	---------	-----------

SR Threaded Ends

1/2	ECSRT2-005 7.80	ECSRT3-005 9.83	1	25	299
3/4	ECSRT2-007 11.28	ECSRT3-007 12.54	1	25	299
1	ECSRT2-010 12.56	ECSRT3-010 14.07	1	25	299
1-1/4	ECSRT2-012 16.64	ECSRT3-012 21.52	1	10	299
1-1/2	ECSRT2-015 22.65	ECSRT3-015 27.13	1	10	299
2	ECSRT2-020 29.77	ECSRT3-020 35.05	1	10	299
2-1/2	ECSRT2-025 60.97	ECSRT3-025 75.00	1	5	299
3	ECSRT2-030 73.78	ECSRT3-030 86.71	1	5	299
4	ECSRT2-040 102.11	ECSRT3-040 135.03	1	4	299
6	ECSRT2-060 220.57	ECSRT3-060 291.65	1	4	299

Supplemental End Connector Sets



CPVC - Supplemental End Connector Sets

Size	EPDM	Viton®	Std Pk	Mstr Pk	Disc Code
------	------	--------	--------	---------	-----------

SR Threaded Ends

1/2	ECSRT2-005C 10.84	ECSRT3-005C 11.65	1	25	299
3/4	ECSRT2-007C 13.50	ECSRT3-007C 15.85	1	25	299
1	ECSRT2-010C 15.07	ECSRT3-010C 17.85	1	25	299
1-1/4	ECSRT2-012C 22.09	ECSRT3-012C 29.33	1	10	299
1-1/2	ECSRT2-015C 28.02	ECSRT3-015C 33.62	1	10	299
2	ECSRT2-020C 35.87	ECSRT3-020C 41.16	1	10	299
2-1/2	ECSRT2-025C 79.55	ECSRT3-025C 90.78	1	5	299
3	ECSRT2-030C 99.15	ECSRT3-030C 115.52	1	5	299
4	ECSRT2-040C 136.00	ECSRT3-040C 171.41	1	4	299
6	ECSRT2-060C 293.77	ECSRT3-060C 370.21	1	4	299

Set of 2 End Connectors with O-rings for all True Union 2000 Ball Valves, Sch 80 Union 2000 fittings and True Union Style Diaphragm Valves.

NOT FOR USE WITH COMPRESSED AIR OR GAS

Ball Valve Accessories & Repair Kits



PVC - Supplemental End Connector Sets

Size	EPDM	Viton®	Std Pk	Mstr Pk	Disc Code
Socket Ends					
1/2	ECS2-005 6.77	ECS3-005 8.82	1	25	299
3/4	ECS2-007 8.80	ECS3-007 10.06	1	25	299
1	ECS2-010 9.95	ECS3-010 11.63	1	25	299
1-1/4	ECS2-012 11.70	ECS3-012 16.63	1	10	299
1-1/2	ECS2-015 14.68	ECS3-015 19.15	1	10	299
2	ECS2-020 21.14	ECS3-020 26.41	1	10	299
2-1/2	ECS2-025 38.89	ECS3-025 52.91	1	5	299
3	ECS2-030 51.72	ECS3-030 64.64	1	5	299
4	ECS2-040 76.35	ECS3-040 109.23	1	4	299
6	ECS2-060 164.90	ECS3-060 235.98	1	1	299

CPVC - Supplemental End Connector Sets

Size	EPDM	Viton®	Std Pk	Mstr Pk	Disc Code
Socket Ends					
1/2	ECS2-005C 9.81	ECS3-005C 10.63	1	25	299
3/4	ECS2-007C 11.04	ECS3-007C 13.39	1	25	299
1	ECS2-010C 12.60	ECS3-010C 15.37	1	25	299
1-1/4	ECS2-012C 17.16	ECS3-012C 21.35	1	10	299
1-1/2	ECS2-015C 20.04	ECS3-015C 25.65	1	10	299
2	ECS2-020C 27.24	ECS3-020C 32.51	1	10	299
2-1/2	ECS2-025C 57.52	ECS3-025C 68.69	1	5	299
3	ECS2-030C 77.07	ECS3-030C 93.45	1	5	299
4	ECS2-040C 110.23	ECS3-040C 145.62	1	4	299
6	ECS2-060C 238.11	ECS3-060C 314.54	1	0	299

PVC - Supplemental End Connector Sets

Size	EPDM	Viton®	Std Pk	Mstr Pk	Disc Code
Spigot Ends					
1/2	ECSP2-005 6.77	ECSP3-005 8.82	1	25	299
3/4	ECSP2-007 8.80	ECSP3-007 10.06	1	25	299
1	ECSP2-010 9.95	ECSP3-010 11.63	1	25	299
1-1/4	ECSP2-012 11.70	ECSP3-012 16.63	1	10	299
1-1/2	ECSP2-015 14.68	ECSP3-015 19.15	1	10	299
2	ECSP2-020 21.14	ECSP3-020 26.41	1	10	299
2-1/2	ECSP2-025 38.89	ECSP3-025 52.91	1	5	299
3	ECSP2-030 51.72	ECSP3-030 64.64	1	5	299
4	ECSP2-040 76.35	ECSP3-040 109.23	1	4	299

CPVC - Supplemental End Connector Sets

Size	EPDM	Viton®	Std Pk	Mstr Pk	Disc Code
Spigot End					
1/2	ECSP2-005C 9.81	ECSP3-005C 10.63	1	25	299
3/4	ECSP2-007C 11.04	ECSP3-007C 13.39	1	25	299
1	ECSP2-010C 12.60	ECSP3-010C 15.37	1	25	299
1-1/4	ECSP2-012C 17.16	ECSP3-012C 21.35	1	10	299
1-1/2	ECSP2-015C 20.04	ECSP3-015C 25.65	1	10	299
2	ECSP2-020C 27.24	ECSP3-020C 32.51	1	10	299
2-1/2	ECSP2-025C 57.52	ECSP3-025C 68.69	1	5	299
3	ECSP2-030C 77.07	ECSP3-030C 93.45	1	5	299
4	ECSP2-040C 110.23	ECSP3-040C 145.62	1	4	299

NOT FOR USE WITH COMPRESSED AIR OR GAS

Made in the U.S.A.

Progressive Products from Spears® Innovation and Technology

Page 32



Ball Valve Accessories & Repair Kits

Split Nut Repair Kits

Size	PVC	CPVC	Std Pk	Mstr Pk	Disc Code
1/2	SNK-005 8.00	SNK-005C 12.31	25	200	299
3/4	SNK-007 9.89	SNK-007C 15.53	1	25	299
1	SNK-010 12.38	SNK-010C 19.01	1	25	299
1-1/4	SNK-012 15.49	SNK-012C 25.36	1	25	299
1-1/2	SNK-015 20.70	SNK-015C 36.37	1	25	299
2	SNK-020 31.53	SNK-020C 54.56	1	25	299
3	SNK-030 85.56	SNK-030C 196.99	1	6	299
4	SNK-040 142.61	SNK-040C 275.87	1	6	299



Split Nut Repair Kit

Designed to replace broken union nuts on all True Union 2000 Ball Valves and Sch 80 Union 2000 fittings

Kit includes:

- 2-Split Nut Halves 1-SS316 Gear Clamp
- Full valve pressure rating maintained

True Union 2000 Valve Seal Carrier Tools

Part Number	Size	Std Pk	Mstr Ctn	Disc Code	Price Each
-------------	------	--------	----------	-----------	------------

True Union 2000 Check Valve Seal Carrier Tool

TSK-00503	1/2	1000	0	299	.79
TSK-00703	3/4	1800	0	299	.79
TSK-01003	1	1800	0	299	.79
TSK-01203	1-1/4	1500	0	299	1.59
TSK-01503	1-1/2	800	0	299	1.59
TSK-02003	2	550	0	299	1.59
TSK-03003	3	200	0	299	4.76
TSK-04003	4	150	0	299	4.76
TSK-06003	6	40	0	299	9.85

True Union 2000 Ball Valve Seal Carrier Tool

TSK1-00503	1/2	2200	0	299	.79
TSK1-00703	3/4	1800	0	299	.79
TSK1-01003	1	1600	0	299	.79
TSK1-01203	1-1/4	1200	0	299	1.59
TSK1-01503	1-1/2	700	0	299	1.59
TSK1-02003	2	550	0	299	1.59
TSK-03003	3	200	0	299	4.76
TSK-04003	4	150	0	299	4.76
TSK-06003	6	40	0	299	9.85



Seal Carrier Adjustment Tool for Regular True Union Valves (not shown)

Part Number	Size	Std Pk	Mstr Ctn	Disc Code	Price Each
VT-025-040	2-1/2 - 4	20	0	299	41.88

Designed for use on Spears® 2-1/2", 3", & 4" Regular True Union Ball Valves for quick, easy adjustment of valve seal carriers using a standard 1", 6-point socket.

NOT FOR USE WITH COMPRESSED AIR OR GAS

Spears® Manufacturing Company

Ball Valve Accessories & Repair Kits



Desired Handle Height for Factory Assembled One-Piece Units

Desired Handle Height	Code	Desired Handle Height	Code	Desired Handle Height	Code	Desired Handle Height	Code
5"	050	16"	160	27"	270	38"	380
6"	060	17"	170	28"	280	39"	390
7"	070	18"	180	29"	290	40"	400
8"	080	19"	190	30"	300	41"	410
9"	090	20"	200	31"	310	42"	420
10"	100	21"	210	32"	320	43"	430
11"	110	22"	220	33"	330	44"	440
12"	120	23"	230	34"	340	45"	450
13"	130	24"	240	35"	350	46"	460
14"	140	25"	250	36"	360	47"	470
15"	150	26"	260	37"	370	48"	480

If desired handle height is in increments of less than a full inch, substitute the last "0" of the three-digit code with a "2" for 1/4", a "5" for 1/2", or a "7" for 3/4". EXAMPLE: If ordering a Stem Extension Kit for a 1/2" valve with a desired handle height of 14-3/4", the part number would read: BVSE-005-147.

* Desired length of PVC Schedule 80 Pipe purchased separately and assembled by others (see Price Schedule NPL-1).

** Factory assembled with solvent cemented PVC Schedule 80 pipe. To order, fill in the last three digits of the part number with the three-digit code representing the desired handle height from the chart above. FACTORY SOLVENT CEMENTED STEM EXTENSION KITS, ONCE PRODUCED ARE NON-CANCELLABLE AND NON-RETURNABLE.

IMPORTANT NOTE										
The following minimum handle heights apply to use of all Stem Extension Kits.										
Valve Size (in.)	1/2	3/4	1	1-1/4	1-1/2	2	2-1/2	3	4	6
True Union 2000 Industrial Ball Valves										
Minimum Height (in.)	4-9/16	5-3/16	5-1/2	6-3/4	7-3/8	8	9-13/16	9-13/16	11-5/8	12-3/4
True Union 2000 Standard, Compact 2000 & Single Entry Ball Valves										
Minimum Height (in.)	3-5/8	4-1/4	4-3/4	6	6-3/8	7-7/16	9-1/2	9-1/2	11	N/A
Regular True Union & Compact Ball Valves										
Minimum Height (in.)	4-1/2	5-1/4	5-1/2	7	7-1/2	8	9	9	10-1/2	N/A

Stem Extension Kits (Two Piece)

Part Number	Size	Std Pk	Mstr Ctn	Disc Code	Price Each
-------------	------	--------	----------	-----------	------------

Fits Spears Regular True Union and Compact Ball Valves, 1/2"-2" = 3-Slot Stem, 2-1/2"-4" = 1-Slot Stem

BVSE-005-000	1/2	1	25	299	10.26
BVSE-007-000	3/4	1	25	299	11.38
BVSE-010-000	1	1	25	299	11.38
BVSE-012-000	1-1/4	1	25	299	18.44
BVSE-015-000	1-1/2	1	25	299	20.95
BVSE-020-000	2	1	25	299	22.77
BVSE-030-000	2-1/2,3	1	25	299	23.23
BVSE-040-000	4	1	25	299	31.90

Optional Factory Assembled (One-Piece)

Part Number	Disc Code	5"-12" Handle Height	13"-18" Handle Height	19"-24" Handle Height	25"-36" Handle Height	37"-48" Handle Height
BVSE-005-__**	299	16.86	18.26	19.76	26.19	30.46
BVSE-007-__**	299	18.10	19.46	20.96	27.40	31.68
BVSE-010-__**	299	18.10	19.46	20.96	27.40	31.68
BVSE-012-__**	299	28.22	29.15	32.27	40.82	45.95
BVSE-015-__**	299	30.86	33.31	34.89	43.47	48.59
BVSE-020-__**	299	32.80	35.22	36.81	45.41	50.51
BVSE-030-__**	299	33.52	35.73	37.28	45.87	50.97
BVSE-040-__**	299	46.18	50.04	53.51	60.50	70.24

Stem Extension Kits (Two Piece)

Part Number	Size	Std Pk	Mstr Ctn	Disc Code	Price Each
-------------	------	--------	----------	-----------	------------

Fits All True Union 2000, Compact 2000 & Single Entry Ball Valves (Except 3-Way) 1/2" -2" = 3-Slot Stem, sizes 2-1/2" -4" = 1-Slot Stem

BVSE2-005-000	1/2	1	25	299	10.26
BVSE2-007-000	3/4	1	25	299	11.38
BVSE2-010-000	1	1	25	299	11.38
BVSE2-012-000	1-1/4	1	25	299	18.44
BVSE2-015-000	1-1/2	1	25	299	20.95
BVSE2-020-000	2	1	25	299	22.77
BVSE2-030-000	2-1/2,3	1	25	299	23.23
BVSE2-040-000	4	1	25	299	31.90
BVSE2-060-000	6	1	25	299	59.01

Optional Factory Assembled (One-Piece)

Part Number	Disc Code	5"-12" Handle Height	13"-18" Handle Height	19"-24" Handle Height	25"-36" Handle Height	37"-48" Handle Height
BVSE2-005-__**	299	16.86	18.26	19.76	26.19	30.46
BVSE2-007-__**	299	18.10	19.46	20.96	27.40	31.68
BVSE2-010-__**	299	18.10	19.46	20.96	27.40	31.68
BVSE2-012-__**	299	28.22	29.15	32.27	40.82	45.95
BVSE2-015-__**	299	30.86	33.31	34.89	43.47	48.59
BVSE2-020-__**	299	32.80	35.22	36.81	45.41	50.51
BVSE2-030-__**	299	33.52	35.73	37.28	45.87	50.97
BVSE2-040-__**	299	46.18	50.04	53.51	60.50	70.24
BVSE2-060-__**	299	85.51	92.69	99.10	112.01	130.06

NOT FOR USE WITH COMPRESSED AIR OR GAS

Made in the U.S.A.

Progressive Products from Spears® Innovation and Technology



Ball Valve Accessories & Repair Kits

Round Safety Handle Kits

Size	Regular	Industrial	Std Pk	Mstr Pk	Disc Code
1/2	RSH-005 13.22	RSH2-005 13.22	500	0	299
3/4	RSH-007 15.94	RSH2-007 15.94	300	0	299
1	RSH-010 16.84	RSH2-010 16.84	210	0	299
1-1/4	RSH-012 20.02	RSH2-012 20.02	200	0	299
1-1/2	RSH-015 20.02	RSH2-015 20.02	100	0	299
2	RSH-020 25.96	RSH2-020 25.96	60	0	299
2-1/2&3	RSH-030 55.56	RSH2-030 55.56	25	0	299
4	RSH-040 74.68	RSH2-040 74.68	16	0	299
6	---	RSH2-060 90.41	16	0	299



Regular fits Spears® Regular True Union and Compact Ball Valves in sizes 1/2" – 2" with 3-Slot Stem and in sizes 2-1/2" – 4" with 1-Slot Stem.

Industrial fits All True Union 2000, Compact 2000, and Single Entry Ball Valves in sizes 1/2" – 2" with 3-Slot Stem and in sizes 2-1/2" – 4" with 1-Slot Stem. The 6" size has a Double-Flat Stem pattern.

2" Operator Nuts

Part Number	Size	Std Pk	Mstr Ctn	Disc Code	Price Each
Industrial					
VTN2-005	1/2	10	60	299	12.31
VTN2-007	3/4	10	60	299	16.38
VTN2-010	1	10	60	299	20.51
VTN2-012	1-1/4	10	60	299	24.60
VTN2-015	1-1/2	10	60	299	36.91
VTN2-020	2	10	60	299	61.47
VTN2-030	2-1/2 & 3	10	40	299	102.47
VTN2-040	4	5	0	299	102.47
VTN-040	6	5	0	299	102.47



Industrial & Regular (VTN2 Series) Operator Nuts fit Regular True Union, True Union 2000, Compact, Compact 2000 and Single Entry Ball Valves in sizes 1/2" - 2" with current 3-Slot Stems and in sizes 2- 1/2", 3", and 4" with current 1-Slot Stems. The VTN-040 fits the 6" size with a Double-Flat Stem pattern.

Handle Lockout Ring

Part Number	Size	Std Pk	Mstr Ctn	Disc Code	Price Each
TU2LR-005	1/2	250	3000	299	18.97
TU2LR-007	3/4	250	3000	299	18.97
TU2LR-010	1	250	3000	299	18.97
TU2LR-012	1-1/4	1	25	299	18.97
TU2LR-015	1-1/2	1	25	299	21.35
TU2LR-020	2	1	25	299	21.35
TU2LR-030	2-1/2 & 3	1	25	299	23.72
TU2LR-040	4	1	25	299	23.72



Spears® Handle Lockout Ring is for use with Spears® True Union 2000 Industrial Ball Valves with built-in handle lockout mechanism. Normal handle lockout operation allows lockout in both open and closed positions. The Lockout Ring limits lockout operation to either a lock-open only or a lock-closed only position, according to the position in which the Lockout Ring is installed.

NOT FOR USE WITH COMPRESSED AIR OR GAS

Ball Valve Accessories & Repair Kits



TUMB2 fits all True Union 2000 Ball Valves (except 3-Way). TUMB fits Regular True Union Ball Valves.



Add-on actuator adapter. Use MMP1 with True Union 2000 Multi-Mount Bracket. Use MMP with Regular True Union.



Complete Multi-Mount Actuation Mounting Kit fits all True Union 2000 (except 3-Way) and Regular True Union Ball Valves.

Multi-Mount Mounting Bracket

Size	TU 2000	Regular True Union	Std Pk	Mstr Pk	Disc Code
1/2	TUMB2-005 44.84	TUMB-005 44.84	1	10	299
3/4	TUMB2-007 47.51	TUMB-007 47.51	1	10	299
1	TUMB2-010 51.12	TUMB-010 51.12	1	10	299
1-1/4	TUMB2-012 53.50	TUMB-012 53.50	1	10	299
1-1/2	TUMB2-015 57.63	TUMB-015 57.63	1	10	299
2	TUMB2-020 64.30	TUMB-020 64.30	1	10	299
2-1/2,3	TUMB2-030 122.14	TUMB-030 122.14	1	4	299
4	TUMB2-040 149.39	TUMB-040 149.39	1	4	299

Multi-Mount Actuator Mounting Platform

Size	TU 2000	Regular True Union	Std Pk	Mstr Pk	Disc Code
1/2	MMP1-005 18.97	MMP-005 18.97	1	10	299
3/4	MMP1-007 19.62	MMP-007 19.62	1	10	299
1	MMP1-010 22.90	MMP-010 22.90	1	10	299
1-1/4	MMP1-012 25.01	MMP-012 25.01	1	10	299
1-1/2	MMP1-015 34.19	MMP-015 34.19	1	10	299
2	MMP1-020 38.67	MMP-020 38.67	1	10	299
2-1/2,3	MMP1-030 87.27	MMP-030 87.27	1	5	299
4	MMP1-040 100.56	MMP-040 100.56	1	5	299

True Union Multi-Mount Mounting Kit

Size	TU 2000	Regular True Union	Std Pk	Mstr Pk	Disc Code
1/2	TUAK1-005 60.65	TUAK-005 60.65	1	5	299
3/4	TUAK1-007 63.81	TUAK-007 63.81	1	5	299
1	TUAK1-010 70.37	TUAK-010 70.37	1	5	299
1-1/4	TUAK1-012 74.61	TUAK-012 74.61	1	5	299
1-1/2	TUAK1-015 87.26	TUAK-015 87.26	1	5	299
2	TUAK1-020 97.82	TUAK-020 97.82	1	5	299
2-1/2&3	TUAK1-030 198.95	TUAK-030 198.95	1	5	299
4	TUAK1-040 237.44	TUAK-040 237.44	1	2	299

NOT FOR USE WITH COMPRESSED AIR OR GAS

Made in the U.S.A.

Progressive Products from Spears® Innovation and Technology

Page 36



Ball Valve Accessories & Repair Kits

True Union 2000 Low Profile Actuator Mounting Kit

Size	TU 2000 Industrial	TU 2000 Standard & Compact	Std Pk	Mstr Pk	Disc Code
Industrial					
1/2	AMB5-005 13.90	AMB6-005 13.90	1	10	299
3/4	AMB5-007 16.89	AMB6-007 16.89	1	10	299
1	AMB5-010 20.46	AMB6-010 20.46	1	10	299
1-1/4	AMB5-012 22.87	AMB6-012 22.87	1	10	299
1-1/2	AMB5-015 24.99	AMB6-015 24.99	1	10	299
2	AMB5-020 32.78	AMB6-020 32.78	1	10	299
3	AMB5-030 68.46	AMB6-030 68.46	1	10	299
4	AMB5-040 72.06	AMB6-040 72.06	1	5	299
6	AMB5-060 105.11	---	1	5	299



Industrial Unit - Top-mount actuator mounting system for True Union 2000 Industrial (1800 series) & 3-Way Ball Valves

Standard Unit - Top-mount actuator mounting system for True Union 2000 Standard Ball Valves (3600 series) and Compact 2000 Ball Valves (6600 series)

Note: Low Profile Mounting Kit will not work with Multi-Mount Valve Mounting Bracket - See Mini-Mount actuation Mounting Kit or Mini-Mount Combo Actuation Mounting Kit

Ball Valve Accessories & Repair Kits



Mini-Mount Actuator Mounting Kit

Size	TU 2000 Industrial	TU 2000 Standard/Compact	Compact (Regular)	Std Pk	Mstr Pk	Disc Code
1/2	AMB2-005 13.90	AMB3-005 13.90	AMB4-005 13.90	1	10	299
3/4	AMB2-007 16.89	AMB3-007 16.89	AMB4-007 16.89	1	10	299
1	AMB2-010 20.46	AMB3-010 20.46	AMB4-010 20.46	1	10	299
1-1/4	AMB2-012 22.87	AMB3-012 22.87	AMB4-012 22.87	1	10	299
1-1/2	AMB2-015 24.99	AMB3-015 24.99	AMB4-015 24.99	1	10	299
2	AMB2-020 32.78	AMB3-020 32.78	AMB4-020 32.78	1	10	299
3	AMB2-030 68.46	AMB3-030 68.46	AMB4-030 68.46	1	10	299
4	AMB2-040 72.06	AMB3-040 72.06	AMB4-040 72.06	1	5	299
6	AMB2-060 105.11	---	---	1	5	299



Industrial Unit – Top-mount actuator mounting system for True Union 2000 Industrial (1800 series) & 3-Way Ball Valves

Standard Unit – Top-mount actuator mounting system for True Union 2000 Standard Ball Valves (3600 series) and Compact 2000 Ball Valves (6600 series)

Compact Unit – Top-mount actuator mounting system for Regular Style Compact Ball Valves (2100 series)

True Union 2000 Mini-Mount Combo

Size	Industrial	Standard	Std Pk	Mstr Pk	Disc Code
1/2	TUAK2-005 60.65	TUAK3-005 60.65	1	5	299
3/4	TUAK2-007 63.81	TUAK3-007 63.81	1	10	299
1	TUAK2-010 70.37	TUAK3-010 70.37	1	5	299
1-1/4	TUAK2-012 74.61	TUAK3-012 74.61	1	5	299
1-1/2	TUAK2-015 87.26	TUAK3-015 87.26	1	5	299
2	TUAK2-020 97.82	TUAK3-020 97.82	1	5	299
3	TUAK2-030 198.95	TUAK3-030 198.95	1	5	299
4	TUAK2-040 237.44	TUAK3-040 237.44	1	2	299



Industrial Unit – Top-mount actuator mounting system with valve support mounting bracket for True Union 2000 Industrial (1800 series) Ball Valve (will not fit 3-Way)

Standard Unit – Top-mount actuator mounting system with valve support mounting bracket for True Union 2000 (3600 series) Standard Ball Valve



Ball Valve Accessories & Repair Kits

True Union 2000 Valve Repair Kits

Size	EPDM	Viton®	Std Pk	Mstr Pk	Disc Code
------	------	--------	--------	---------	-----------

Industrial Ball Valve

1/2	TU2-ERK-005 18.69	TU2-VRK-005 21.17	1	10	299
3/4	TU2-ERK-007 21.17	TU2-VRK-007 21.88	1	10	299
1	TU2-ERK-010 21.88	TU2-VRK-010 27.90	1	10	299
1-1/4	TU2-ERK-012 26.60	TU2-VRK-012 44.71	1	10	299
1-1/2	TU2-ERK-015 38.17	TU2-VRK-015 58.54	1	10	299
2	TU2-ERK-020 43.94	TU2-VRK-020 81.95	1	10	299
2-1/2 & 3	TU2-ERK-030 101.40	TU2-VRK-030 132.96	1	10	299
4	TU2-ERK-040 144.21	TU2-VRK-040 172.33	1	10	299
6	TU2-ERK-060 262.72	TU2-VRK-060 334.85	1	10	299

Standard Ball Valve

1/2	TU1-ERK-005 17.78	TU1-VRK-005 20.12	1	10	299
3/4	TU1-ERK-007 20.12	TU1-VRK-007 20.81	1	10	299
1	TU1-ERK-010 20.81	TU1-VRK-010 26.49	1	10	299
1-1/4	TU1-ERK-012 25.24	TU1-VRK-012 42.48	1	10	299
1-1/2	TU1-ERK-015 36.27	TU1-VRK-015 55.62	1	10	299
2	TU1-ERK-020 41.73	TU1-VRK-020 86.27	1	10	299
2-1/2 & 3	TU1-ERK-030 96.32	TU1-VRK-030 126.30	1	10	299
4	TU1-ERK-040 137.02	TU1-VRK-040 163.71	1	10	299

3-Way Ball Valve

1/2	TU3-ERK-005 26.72	TU3-VRK-005 30.26	1	10	299
3/4	TU3-ERK-007 30.26	TU3-VRK-007 31.28	1	10	299
1	TU3-ERK-010 31.28	TU3-VRK-010 39.85	1	10	299
1-1/4	TU3-ERK-012 37.98	TU3-VRK-012 63.87	1	10	299
1-1/2	TU3-ERK-015 54.55	TU3-VRK-015 83.65	1	10	299
2	TU3-ERK-020 62.78	TU3-VRK-020 117.05	1	10	299
2-1/2 & 3	TU3-ERK-030 144.85	TU3-VRK-030 189.93	1	10	299
4	TU3-ERK-040 194.70	TU3-VRK-040 246.18	1	10	299

Industrial Kit includes:

- 2-PTFE Seats
- 2-End Connector O-rings
- 2-Stem O-rings
- 1-Seal Carrier O-ring
- 1-PTFE Stem Bearing
- 2-Seat O-rings (where applicable)

Standard Kit includes:

- 2-HDPE/Teflon® Seats
- 2-End Connector O-rings
- 2-Stem O-rings
- 1-Seal Carrier O-ring
- 2-Seat O-rings (where applicable)

3-Way Kit includes:

- 2-PTFE Seats (no branch seal)
- 3-End Connector O-rings
- 2-Stem O-rings
- 1-Seal Carrier O-ring
- 1-Stem Bushing
- 2-Seat O-rings (where applicable)

NOT FOR USE WITH COMPRESSED AIR OR GAS

Ball Valve Accessories & Repair Kits



True Union 2000 Valve Repair Kits

Size	EPDM	Viton®	Std Pk	Mstr Pk	Disc Code
------	------	--------	--------	---------	-----------

Ball Check Valve

1/2	CK2-ERK-005 3.19	CK2-VRK-005 5.93	1	10	299
3/4	CK2-ERK-007 3.85	CK2-VRK-007 9.80	1	10	299
1	CK2-ERK-010 5.01	CK2-VRK-010 15.94	1	10	299
1-1/4	CK2-ERK-012 7.51	CK2-VRK-012 25.49	1	10	299
1-1/2	CK2-ERK-015 7.51	CK2-VRK-015 25.49	1	10	299
2	CK2-ERK-020 11.14	CK2-VRK-020 27.52	1	10	299
3	CK2-ERK-030 16.26	CK2-VRK-030 76.73	1	10	299
4	CK2-ERK-040 21.03	CK2-VRK-040 82.87	1	10	299
6	CK2-ERK-060 38.37	CK2-VRK-060 198.84	1	10	299

Ball Check Kit includes:

- 2-End Connector O-rings
- 1-Seal Carrier O-ring
- 1-Seal Plate O-ring

Single Entry Ball Valve Repair Kits

Size	Buna-N	EPDM	Viton®	Std Pk	Mstr Pk	Disc Code
1/2	SE-BRK-005 15.26	SE-ERK-005 16.17	SE-VRK-005 18.91	1	10	299
3/4	SE-BRK-007 15.71	SE-ERK-007 16.64	SE-VRK-007 19.12	1	10	299
1	SE-BRK-010 16.84	SE-ERK-010 17.52	SE-VRK-010 20.02	1	10	299
1-1/4, 1-1/2	SE-BRK-015 21.41	SE-ERK-015 23.69	SE-VRK-015 28.45	1	10	299
2	SE-BRK-020 24.36	SE-ERK-020 25.03	SE-VRK-020 29.84	1	10	299
3	SE-BRK-030 56.01	SE-ERK-030 56.28	SE-VRK-030 61.43	1	10	299
4	SE-BRK-040 103.36	SE-ERK-040 103.41	SE-VRK-040 106.52	1	10	299

Single Entry Kit includes:

- 2-End Connector O-rings
- 1-Seal Carrier O-ring
- 1-Seal Plate O-ring
- 1-Stem Bearing (1-1/4" & up)

True Union Valve Repair Kits (Regular Style)

Size	EPDM	Viton®	Std Pk	Mstr Pk	Disc Code
------	------	--------	--------	---------	-----------

Ball Valve

1/2	TU-ERK-005 18.69	TU-VRK-005 21.17	1	10	299
3/4	TU-ERK-007 21.17	TU-VRK-007 21.88	1	10	299
1	TU-ERK-010 21.88	TU-VRK-010 27.90	1	10	299
1-1/4	TU-ERK-012 26.60	TU-VRK-012 44.71	1	10	299
1-1/2	TU-ERK-015 38.17	TU-VRK-015 58.54	1	10	299
2	TU-ERK-020 43.94	TU-VRK-020 81.95	1	10	299
2-1/2, 3	TU-ERK-030 101.40	TU-VRK-030 132.96	1	10	299
4, 6 VENTURIED	TU-ERK-040 144.21	TU-VRK-040 172.33	1	10	299

Ball Valve Kit includes:

- 2-Teflon® Seats
- 2-Seat O-rings
- 2-End Connector O-rings
- 1-Stem Bearing (1-1/4" & up)

NOT FOR USE WITH COMPRESSED AIR OR GAS

Made in the U.S.A.

Progressive Products from Spears® Innovation and Technology

Page 40



Ball Valve Accessories & Repair Kits

Ball Check Valve

1/2	CK-ERK-005 3.19	CK-VRK-005 5.93	1	10	299
3/4	CK-ERK-007 3.85	CK-VRK-007 9.80	1	10	299
1	CK-ERK-010 5.01	CK-VRK-010 15.94	1	10	299
1-1/4	CK-ERK-012 7.51	CK-VRK-012 25.49	1	10	299
1-1/2	CK-ERK-015 7.51	CK-VRK-015 25.49	1	10	299
2	CK-ERK-020 11.14	CK-VRK-020 27.52	1	10	299
2-1/2 OR 3	CK-ERK-030 16.26	CK-VRK-030 76.73	1	10	299
4	CK-ERK-040 21.03	CK-VRK-040 82.87	1	10	299

Ball Check (Regular Style) Kit includes:

- 1-Body O-ring**
- 2-Seat-plate O-rings**
- 2-End Connector O-rings**

PVC True Union Ball Valve Cartridges (Regular Style)

Size	EPDM	Viton®	Std Pk	Mstr Pk	Disc Code
1/2	2320-005 32.80	2330-005 37.28	1	10	299
3/4	2320-007 38.89	2330-007 41.65	1	10	299
1	2320-010 46.47	2330-010 52.77	1	10	299
1-1/4	2320-012 60.00	2330-012 70.55	1	4	299
1-1/2	2320-015 78.18	2330-015 88.32	1	4	299
2	2320-020 100.18	2330-020 106.64	1	4	299
2-1/2, 3	2320-030 219.78	2330-030 256.52	1	0	299
4	2320-040 402.97	2330-040 424.18	1	0	299

CPVC True Union Ball Valve Cartridges (Regular Style)

Size	EPDM	Viton®	Std Pk	Mstr Pk	Disc Code
1/2	2320-005C 46.26	2330-005C 50.47	1	10	299
3/4	2320-007C 56.56	2330-007C 61.69	1	10	299
1	2320-010C 70.41	2330-010C 71.91	1	10	299
1-1/4	2320-012C 94.91	2330-012C 98.70	1	4	299
1-1/2	2320-015C 119.43	2330-015C 125.39	1	4	299
2	2320-020C 161.71	2330-020C 164.76	1	4	299
2-1/2, 3	2320-030C 307.34	2330-030C 312.90	1	0	299
4	2320-040C 508.19	2330-040C 606.27	1	0	299

True Union Ball Valve Cartridge Kits include valve assembly, less union nuts and end connectors.

PVC True Union Ball Check Valve Cartridges (Regular Style)

Size	EPDM	Viton®	Std Pk	Mstr Pk	Disc Code
1/2	2220-005 36.01	2230-005 40.60	1	10	299
3/4	2220-007 42.93	2230-007 45.35	1	10	299
1	2220-010 51.09	2230-010 56.93	1	6	299
1-1/4	2220-012 74.62	2230-012 69.31	1	4	299
1-1/2	2220-015 85.68	2230-015 95.09	1	4	299
2	2220-020 116.98	2230-020 130.07	1	4	299
2-1/2	2220-025 283.57	2230-025 302.01	1	0	299
3	2220-030 283.57	2230-030 302.01	1	0	299
4	2220-040 531.90	2230-040 560.43	1	0	299

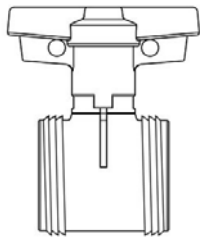
NOT FOR USE WITH COMPRESSED AIR OR GAS

Ball Valve Accessories & Repair Kits



CPVC True Union Ball Check Valve Cartridges (Regular Style)

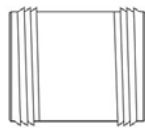
Size	EPDM	Viton®	Std Pk	Mstr Pk	Disc Code
1/2	2220-005C 53.23	2230-005C 59.27	1	10	299
3/4	2220-007C 63.70	2230-007C 70.81	1	10	299
1	2220-010C 75.19	2230-010C 83.54	1	6	299
1-1/4	2220-012C 129.48	2230-012C 143.78	1	4	299
1-1/2	2220-015C 139.23	2230-015C 154.69	1	4	299
2	2220-020C 173.39	2230-020C 192.72	1	4	299
2-1/2	2220-025C 362.43	2230-025C 402.69	1	0	299
3	2220-030C 362.43	2230-030C 402.69	1	0	299
4	2220-040C 795.34	2230-040C 884.29	1	0	299



True Union 2000 Industrial Ball Valve Cartridge



True Union 2000 Standard Ball Valve Cartridge



True Union 2000 Industrial Ball Check Valve Cartridge

True Union Ball Valve Cartridge Kits include valve assembly, less union nuts and end connectors.

Note: 6" Valve uses Lever-Style Handle for proper leverage. T-Style Handle is more compact, but will increase difficulty of operation.

PVC True Union 2000 Industrial Ball Valve Cartridges

Size	EPDM	Viton®	Std Pk	Mstr Pk	Disc Code
1/2	1820-005 32.80	1830-005 37.28	1	18	299
3/4	1820-007 38.89	1830-007 41.65	1	18	299
1	1820-010 46.47	1830-010 52.77	1	18	299
1-1/4	1820-012 60.00	1830-012 70.55	1	8	299
1-1/2	1820-015 78.18	1830-015 88.32	1	8	299
2	1820-020 100.18	1830-020 106.64	1	8	299
2-1/2	1820-025 219.78	1830-025 275.57	1	0	299
3	1820-030 268.21	1830-030 297.95	1	0	299
4	1820-040 453.18	1830-040 503.36	1	0	299
6 (T-Style Handle)	18206-060 838.16	18306-060 929.88	1	0	299
6 (Lever Handle)	1820-060 838.16	1830-060 929.88	1	0	299

CPVC True Union 2000 Industrial Ball Valve Cartridges

Size	EPDM	Viton®	Std Pk	Mstr Pk	Disc Code
1/2	1820-005C 46.26	1830-005C 50.47	1	18	299
3/4	1820-007C 56.56	1830-007C 61.69	1	18	299
1	1820-010C 70.41	1830-010C 71.91	1	18	299
1-1/4	1820-012C 94.91	1830-012C 98.70	1	8	299
1-1/2	1820-015C 119.43	1830-015C 125.39	1	8	299
2	1820-020C 161.71	1830-020C 164.76	1	8	299
2-1/2	1820-025C 340.41	1830-025C 378.20	1	0	299
3	1820-030C 398.05	1830-030C 441.21	1	0	299
4	1820-040C 721.13	1830-040C 801.37	1	0	299
6 (T-Style Handle)	18206-060C 1315.76	18306-060C 1461.24	1	0	299
6 (Lever Handle)	1820-060C 1315.76	1830-060C 1461.24	1	0	299

NOT FOR USE WITH COMPRESSED AIR OR GAS

Made in the U.S.A.

Progressive Products from Spears® Innovation and Technology

Page 42



Ball Valve Accessories & Repair Kits

PVC True Union 2000 Industrial Ball Check Valve Cartridges

Size	EPDM	Viton®	Std Pk	Mstr Pk	Disc Code
1/2	4520-005 38.73	4530-005 43.67	1	10	299
3/4	4520-007 46.20	4530-007 48.76	1	10	299
1	4520-010 54.91	4530-010 61.22	1	6	299
1-1/4	4520-012 84.67	4530-012 90.01	1	4	299
1-1/2	4520-015 92.14	4530-015 102.24	1	4	299
2	4520-020 125.77	4530-020 139.87	1	4	299
2-1/2	4520-025 304.91	4530-025 324.74	1	4	299
3	4520-030 365.11	4530-030 463.56	1	4	299
4	4520-040 571.95	4530-040 602.59	1	0	299
6	4520-060 963.10	4530-060 1069.04	1	0	299

CPVC True Union 2000 Industrial Ball Check Valve Cartridges

Size	EPDM	Viton®	Std Pk	Mstr Pk	Disc Code
1/2	4520-005C 57.24	4530-005C 63.71	1	18	299
3/4	4520-007C 68.51	4530-007C 76.14	1	18	299
1	4520-010C 80.87	4530-010C 89.84	1	18	299
1-1/4	4520-012C 139.23	4530-012C 154.60	1	12	299
1-1/2	4520-015C 139.23	4530-015C 154.60	1	8	299
2	4520-020C 185.97	4530-020C 207.23	1	8	299
2-1/2	4520-025C 389.72	4530-025C 433.01	1	4	299
3	4520-030C 459.84	4530-030C 548.32	1	4	299
4	4520-040C 855.20	4530-040C 950.85	1	0	299
6	4520-060C 1516.61	4530-060C 1681.06	1	0	299

PVC True Union 2000 Standard Ball Valve Cartridges

Size	EPDM	Viton®	Std Pk	Mstr Pk	Disc Code
1/2	3620-005 25.37	3630-005 28.21	1	18	299
3/4	3620-007 30.00	3630-007 33.38	1	18	299
1	3620-010 35.76	3630-010 39.80	1	18	299

PVC True Union 2000 Standard Ball Valve Cartridges (continued)

Size	EPDM	Viton®	Std Pk	Mstr Pk	Disc Code
1-1/4	3620-012 49.46	3630-012 63.12	1	12	299
1-1/2	3620-015 59.55	3630-015 66.13	1	12	299
2	3620-020 78.61	3630-020 86.54	1	8	299
2-1/2 & 3	3620-030 199.17	3630-030 221.28	1	0	299
4	3620-040 336.43	3630-040 373.93	1	0	299

CPVC True Union 2000 Standard Ball Valve Cartridges

Size	EPDM	Viton®	Std Pk	Mstr Pk	Disc Code
1/2	3620-005C 33.49	3630-005C 37.22	1	18	299
3/4	3620-007C 42.20	3630-007C 46.87	1	18	299
1	3620-010C 50.03	3630-010C 55.82	1	18	299
1-1/4	3620-012C 79.83	3630-012C 88.73	1	12	299
1-1/2	3620-015C 84.33	3630-015C 93.71	1	12	299
2	3620-020C 112.79	3630-020C 129.67	1	8	299
2-1/2 & 3	3620-030C 295.69	3630-030C 328.54	1	0	299
4	3620-040C 614.85	3630-040C 595.29	1	0	299

NOT FOR USE WITH COMPRESSED AIR OR GAS

Watch for New Product Announcements from Spears® Innovation and Technology



SPEARS® MANUFACTURING COMPANY • CORPORATE OFFICE

15853 Olden St., Sylmar, CA 91342 • PO Box 9203, Sylmar, CA 91392
(818) 364-1611 • www.spearsmfg.com



PACIFIC SOUTHWEST

15860 Olden St.
Sylmar (Los Angeles), CA 91342
(818) 364-1611 • (800) 862-1499
Fax (818) 367-3014

ROCKY MOUNTAIN

4880 Florence St.
Denver, CO 80238
(303) 371-9430 • (800) 777-4154
Fax (303) 375-9546

UTAH

5395 West 1520 South
Salt Lake City, UT 84104
(303) 371-9430 • (800) 777-4154
Fax (303) 375-9546

SOUTHEAST

4205 Newpoint Pl., Suite 100
Lawrenceville (Atlanta), GA 30043
(678) 985-1263 • (800) 662-6326
Fax (678) 985-5642

MIDWEST

1 Gateway Ct., Suite A
Bolingbrook (Chicago), IL 60440
(630) 759-7529 • (800) 662-6330
Fax (630) 759-7515

NORTHWEST

4103 C St. NE Suite 200
Auburn (Seattle), WA 98002
(253) 939-4433 • (800) 347-7327
Fax (253) 939-7557

SOUTH CENTRAL

1000 Lakeside Parkway
Flower Mound, TX 75028
(469) 528-3000 • (800) 441-1437
Fax (469) 528-3001

NORTHEAST

590 Industrial Dr., Suite 100
Lewisberry (Harrisburg), PA 17339-9532
(717) 938-8844 • (800) 233-0275
Fax (717) 938-6547

FLORIDA

9563 Parksouth Court
Orlando, FL 32837
(407) 843-1960 • (800) 327-6390
Fax (407) 425-3563

INTERNATIONAL SALES

15853 Olden St.
Sylmar (Los Angeles), CA 91342
(818) 364-1611 • Fax (818) 898-3774

AUTHORIZED DISTRIBUTOR