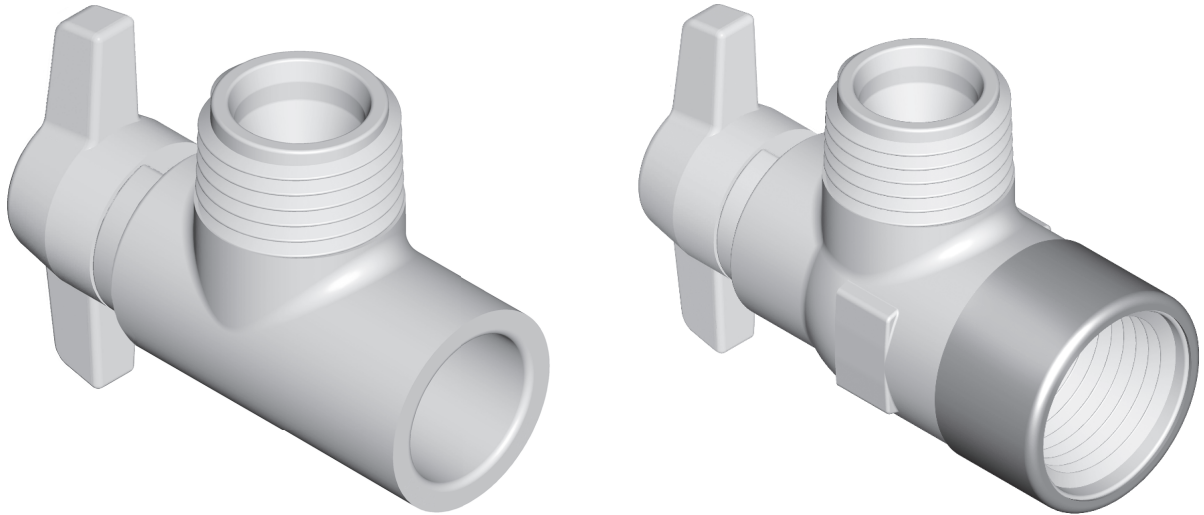




# NEW PRODUCTS

CTS-1A-0809

## CTS CPVC 1/4-Turn Angle Supply Stop For Hot & Cold Water Distribution Systems



Used at plumbing fixtures to terminate and control hot and cold water, this all-plastic quarter-turn shutoff valve is specially designed for use with CTS (Copper Tube Size) CPVC Hot & Cold Water Distribution Systems. Available in 1/2" CTS Socket or Spears® patented Special Reinforced (SR) 1/2" FIPT female thread inlet x 1/2" straight male thread outlet for connection to conventional 1/2" FPT faucet or toilet supply lines with captive seals.

- Easy 1/4-Turn Shutoff
- All Plastic Corrosion Proof Construction
- CTS CPVC Tan Body with Tan Colored High Impact Polypropylene Handle
- High Quality EPDM Seals
- NSF Certified to ASTM F 1970 for use in ASTM D 2846 Hot & Cold Water Distribution Systems rated to 100 psi @ 180°F

Part Number	Size	Std Pk	Mstr Ctn	Disc Code	Price Each
-------------	------	--------	----------	-----------	------------

### 1/4-Turn Angle Supply Stop Socket x NPT

100 psi @ 180°F  
NPT for Connection to 1/2" FPT Flexible Supply Line

7722-005	1/2	50	400	217	8.89
----------	-----	----	-----	-----	------

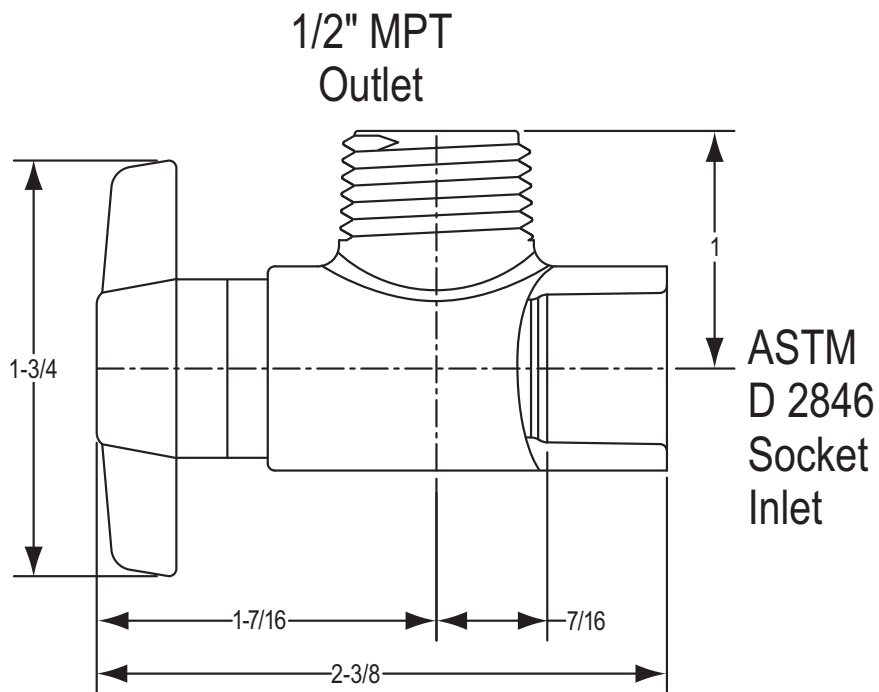
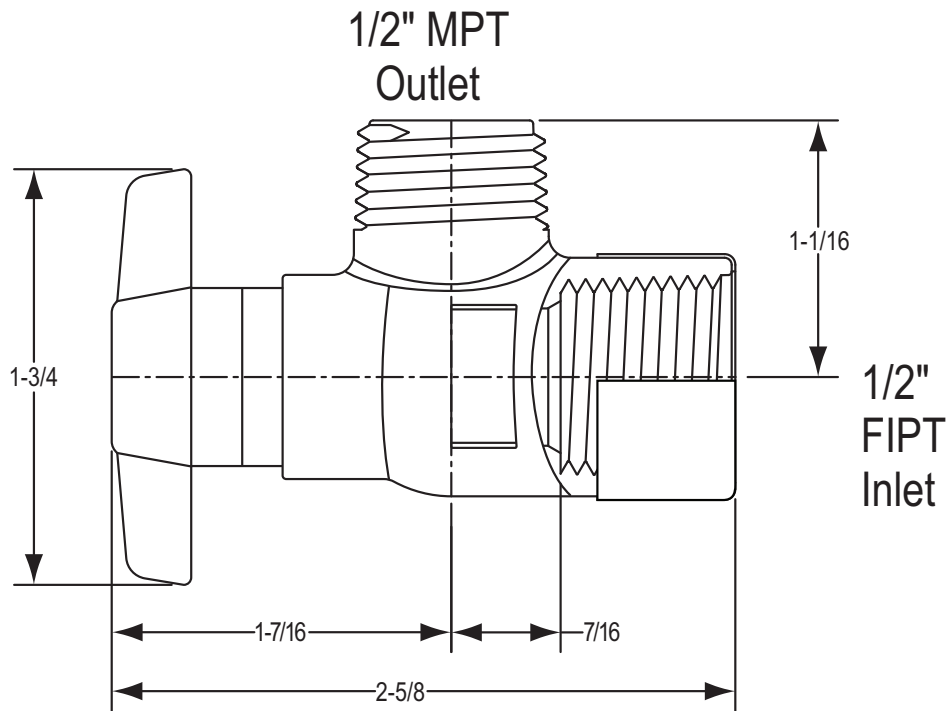
Part Number	Size	Std Pk	Mstr Ctn	Disc Code	Price Each
-------------	------	--------	----------	-----------	------------

### 1/4-Turn Angle Supply Stop SR FPT x NPT

100 psi @ 180°F  
NPT for Connection to 1/2" FPT Flexible Supply Line

7721-005SR	1/2	50	400	217	22.02
------------	-----	----	-----	-----	-------

# Dimensions



## NOT FOR USE WITH COMPRESSED AIR OR GAS

Prices subject to change without notice. Possession of this price schedule shall not be construed as an offer to sell the products listed.  
Product drawing(s) & photo(s) are representative and may not fully reflect product configuration.

*Progressive Products From Spears® Innovation & Technology*



### SPEARS® MANUFACTURING COMPANY

Corporate Office  
15853 Olden Street • Sylmar, CA 91342  
PO Box 9203 • Sylmar, CA 91392  
(818) 364-1611 • <http://www.spearsmfg.com>

